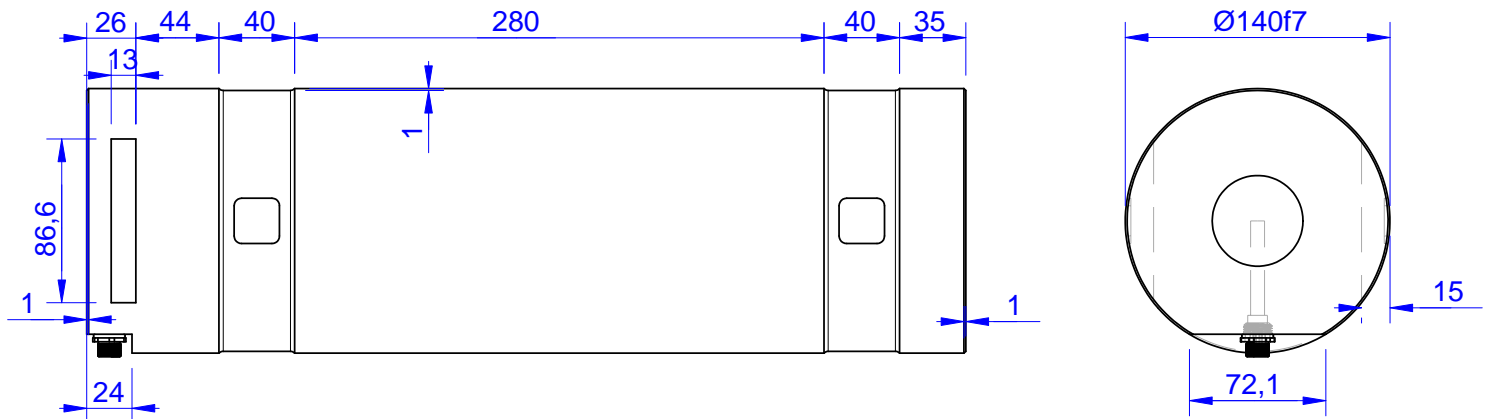


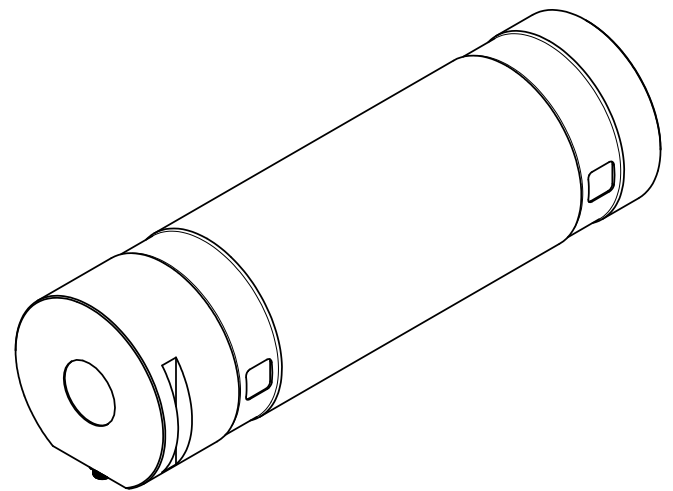
MB244

Load Pin



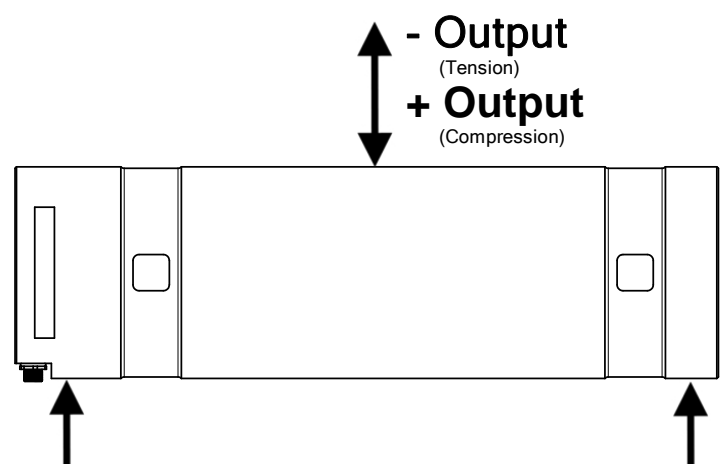
Order no.	Capacity (F.S.)	Review
MB244-100-B	100 kN	B
MB244-500-B	500 kN	B
MB244-1000-B	1000 kN	B
MB244-1500-B	1500 kN	B
MB244-3300-B*	3300 kN	B

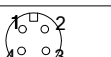
* above showed version
The fixed dimensions don't change at other capacities.



Specifications: (Customizing on request)

Dimension / Material		
Material		HS Steel
Protection class		IP 66
Mechanical Data		
Safe Load Limit	% of F.S.	150
Breaking Load	% of F.S.	300
Electrical Data		
Rated Output	mV/V@F.S.	1
Zero Balance	mV/V	±0,05
Excitation (Maximum)	Volt	10
Input Resistance	Ohm	800±100
Output Resistance	Ohm	702±2
Insulating Resistance	GOhm	>5
Precision		
Precisionclass	%	1
Nonlinearity	% of F.S.	± 0,5
Nonrepeatability	% of F.S.	± 0,25
Hysteresis	% of F.S.	± 0,2
Temp. Shift Zero	% of F.S./K.	±0,05
Temp. Shift Span	% of F.S./K.	±0,05
Temperature		
Compensated Temp.	°C	-10...+60
Operating Temp.	°C	-20...+70



Wiringcode: WC7	Connectortype: M12 (male)			
	Excitation (+) Pin 1	Excitation (-) Pin 2	Bridge (+) Pin 3	Bridge (-) Pin 4

Batarow
Made in Germany

Batarow Sensorik GmbH
Karow 17
18276 Lüssow

Mail: info@batarow.com
Phone: +49 (0) 3843-855555
Fax : +49 (0) 3843-218842

Internet:
www.batarow.com

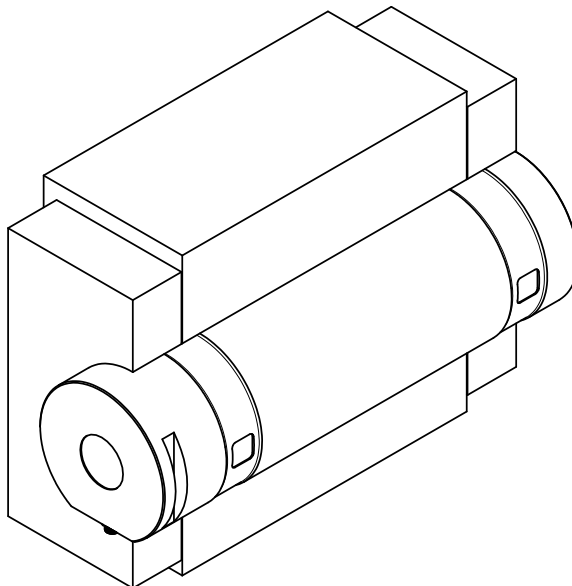
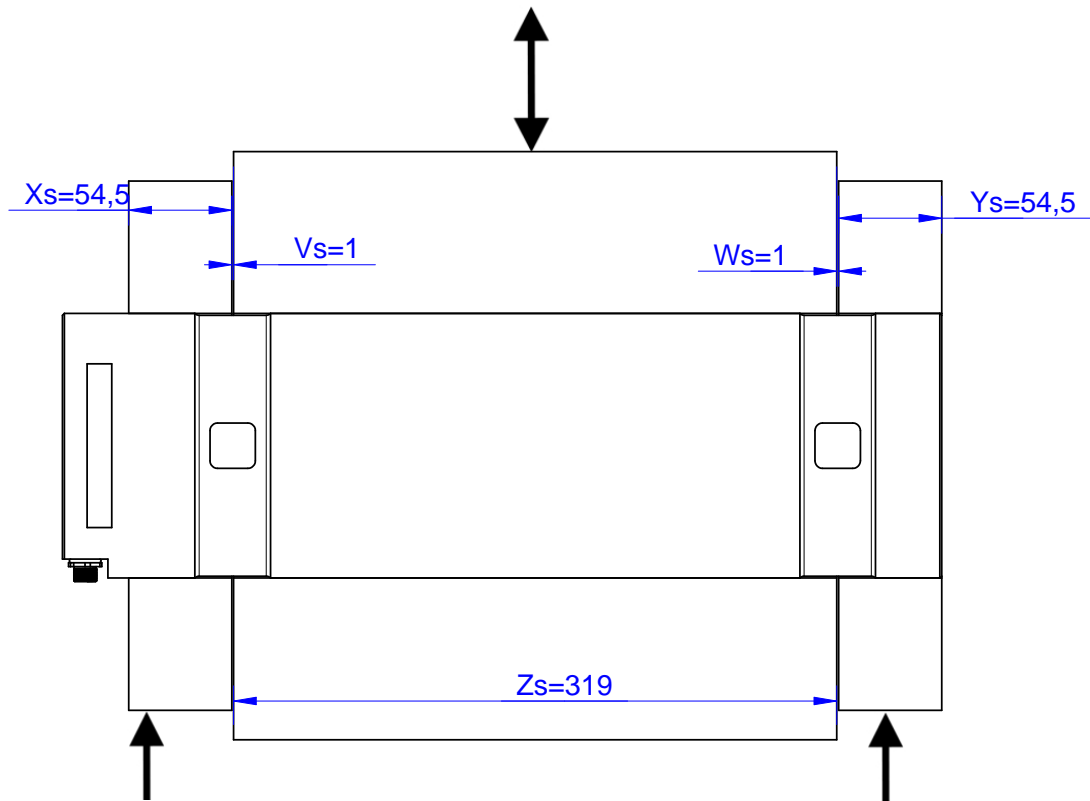
Mounting Situation

MB244

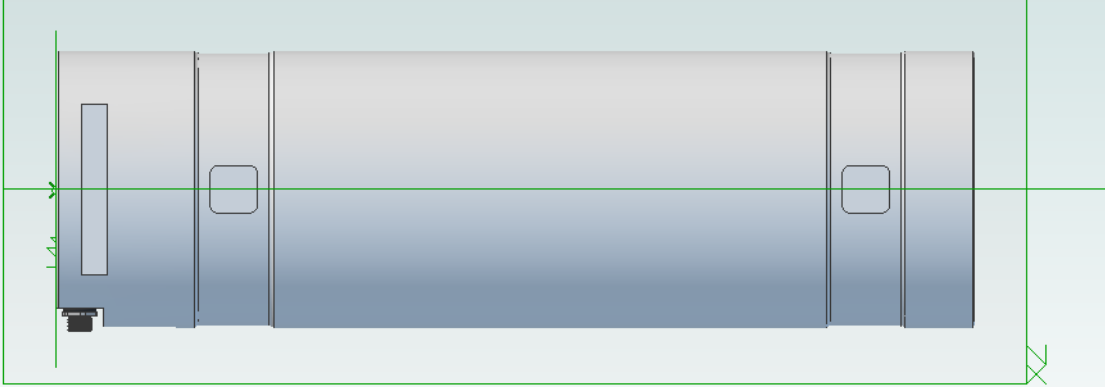
Configuration 1 (Standard)

possible Mounting Situation / Customer Mounting could vary

(Please describe Mounting situation with Vs,Ws,Xs,Ys and Zs for best possible calibration)



3d-pdf loadpin mb244



loadpin: mb244

If you want to view and rotate this model, you have to click on the picture.