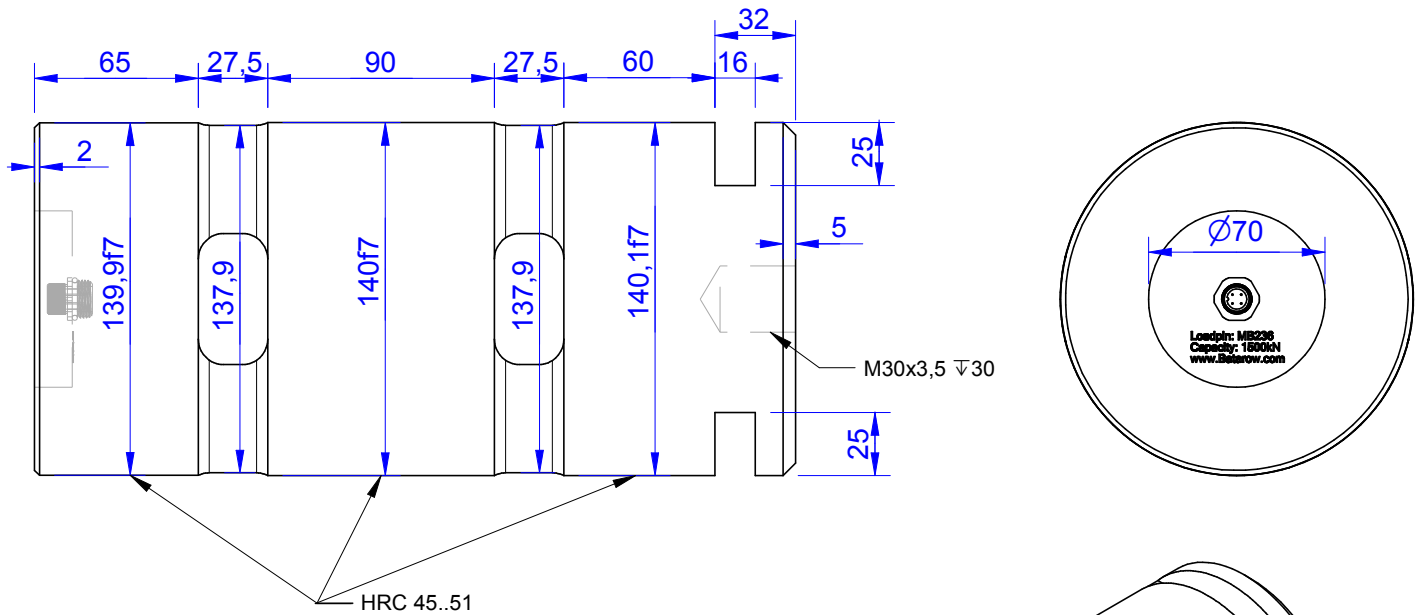


MB236

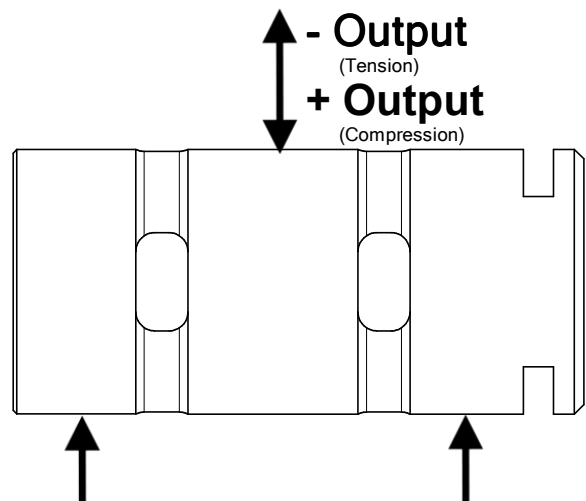


Order no.	Capacity (F.S.)	Review
MB236-800-C	800 kN	C
MB236-1500-C*	1500 kN	C

* above showed version
The fixed dimensions don't change at the other capacity.

Specifications: (Customizing on request)

Dimension / Material		
Type of Construction		HS Steel
Material		IP 68
Protection class		
Mechanical Data		
Safe Load Limit	% of F.S.	150
Breaking Load	% of F.S.	400
Electrical Data		
Output @ 0kN	V	1
Output @ F.S.	V	9
Supply Voltage	V	11..30
Current Consumption	mA	15 (@ 24V)
Switching Output		Open Collector
max. Switching current	mA	100
Precision		
Precisionclass	%	1
Nonlinearity	% of F.S.	±0,5
Nonrepeatability	% of F.S.	±0,25
Hysteresis	% of F.S.	±0,2
Temp. Shift Zero	% of F.S./K.	±0,05
Temp. Shift Span	% of F.S./K.	±0,05
Temperature		
Compensated Temp.	°C	-10...+60
Operating Temp.	°C	-40...+70



Wiringcode: WC9			
Integrated Amplifier: GSV-15AL			
Output: 1V @ 0kN 9V @ F.S.			
Cabeling: Male Socket / Flanschdose (male)			
Supply(+)	Pin 2 / brown	Scale	Pin 5 / grey
Ground (-)	Pin 1 / white	Threshold	Pin 6 / pink
Output	Pin 3 / green	Output Ground	Pin 7 / blue
Tare	Pin 4 / yellow		

Batarow
Made in Germany

Batarow Sensorik GmbH
Karow 17
18276 Lüssow

Mail: info@batarow.com
Phone: +49 (0) 3843-855555
Fax : +49 (0) 3843-218842

Internet:
www.batarow.com

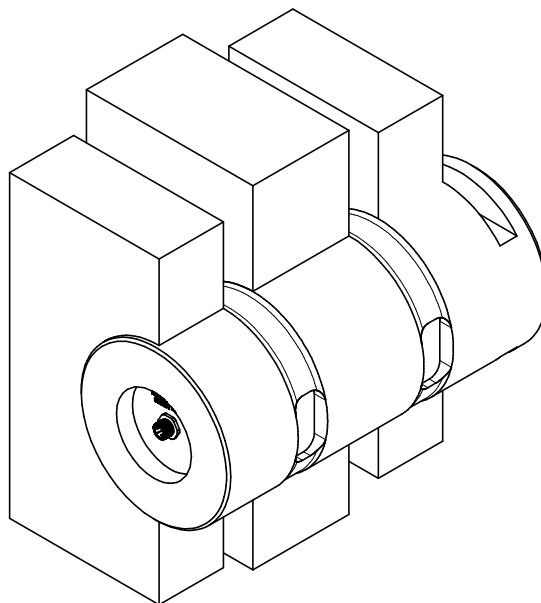
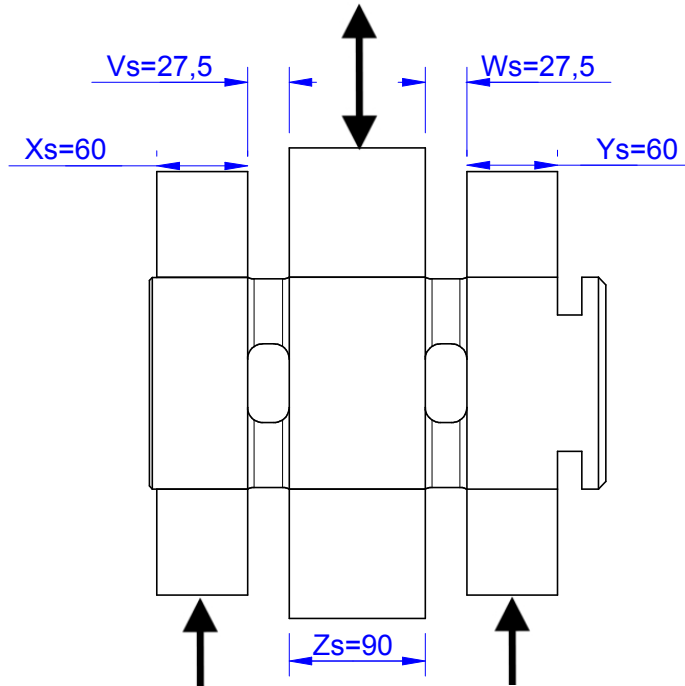
Mounting Situation

MB236 rev_c

Configuration 1 (Standard)

possible Mounting Situation / Customer Mounting could vary

(Please describe Mounting situation with Vs,Ws,Xs,Ys and Zs for best possible calibration)



Batarow
Made in Germany

Batarow Sensorik GmbH
Karow 17
18276 Lüssow

Mail: info@batarow.com
Phone: +49 (0) 3843-855555
Fax : +49 (0) 3843-218842

Internet:
www.batarow.com