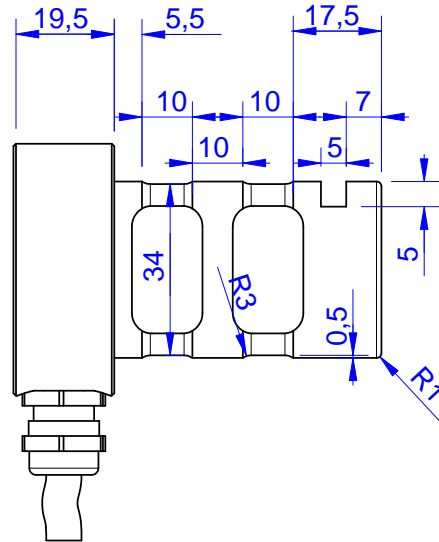
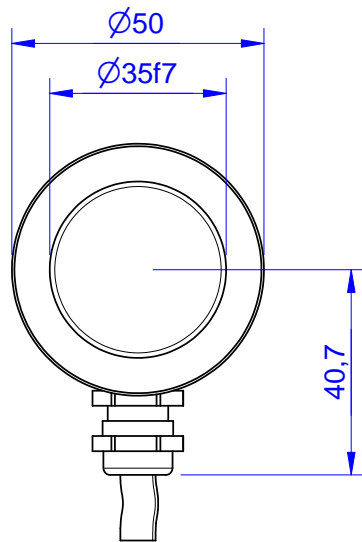
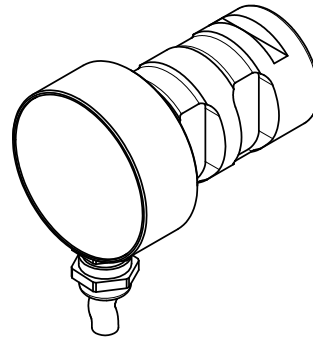


# MB234

Load Pin



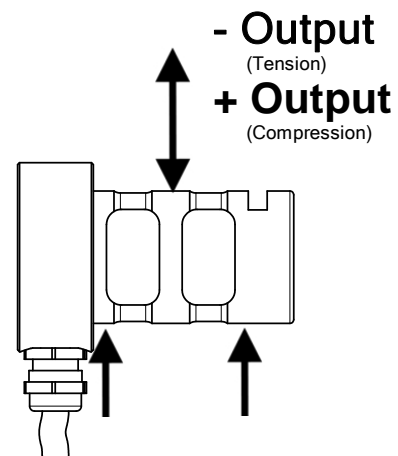
Order no.	Capacity (F.S.)	Review
MB234-10-B	10 kN	B
MB234-25-B	25 kN	B
MB234-50-B*	50 kN	B
MB234-75-B	75 kN	B
MB234-100-B	100 kN	B



\* above showed version  
The fixed dimensions don't change at other capacities.

## Specifications: (Customizing on request)

<b>Dimension / Material</b>		
Type of Construction		Stainless Steel
Material		IP 66
Protection class		
<b>Mechanical Data</b>		
Safe Load Limit	% of F.S.	150
Breaking Load	% of F.S.	300
<b>Electrical Data</b>		
Output @ 0kN	mA	4
Output @ F.S.	mA	20
Supply Voltage	V	11..30
Current Consumption	mA	15 (@ 24V)
Switching Output		n.c.
max. Switching current	mA	n.c.
<b>Precision</b>		
Precisionclass	%	1
Nonlinearity	% of F.S.	±0,5
Nonrepeatability	% of F.S.	±0,25
Hysteresis	% of F.S.	±0,2
Temp. Shift Zero	% of F.S./K.	±0,05
Temp. Shift Span	% of F.S./K.	±0,05
<b>Temperature</b>		
Compensated Temp.	°C	-10...+60
Operating Temp.	°C	-20...+70



Wiringcode: WC23		
Integrated Amplifier: GSV-15AL		
Cabeling: 5 m 2x2x0,25 PUR		
Supply(+)	Ground (-)	Output
brown	white	green

**Batarow**  
Made in Germany

Batarow Sensorik GmbH  
Karow 17  
18276 Lüssow

Mail: info@batarow.com  
Phone: +49 (0) 3843-855555  
Fax : +49 (0) 3843-218842

Internet:  
www.batarow.com

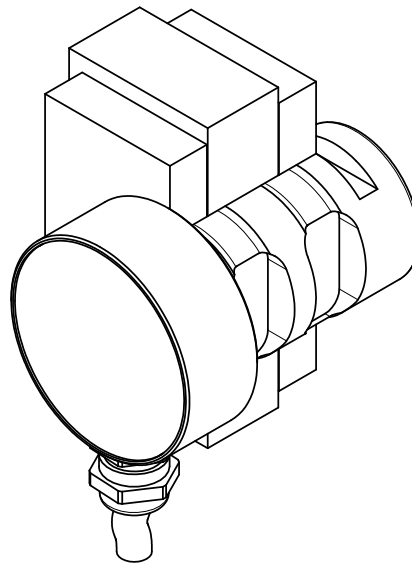
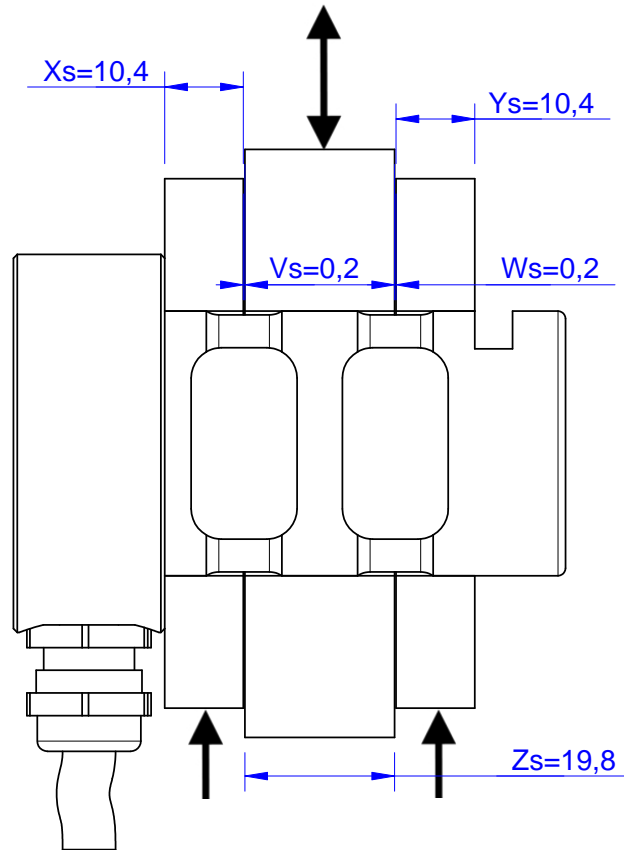
# Mounting Situation

MB234

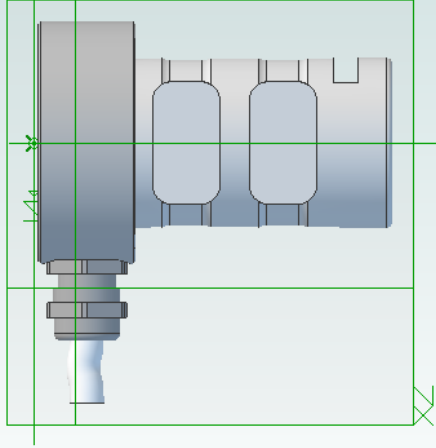
## Configuration 1 (Standard)

possible Mounting Situation / Customer Mounting could vary

(Please describe Mounting situation with Vs,Ws,Xs,Ys and Zs for best possible calibration)



# 3d-pdf loadpin mb234



loadpin: mb234

If you want to view and rotate this model, you have to click on the picture.