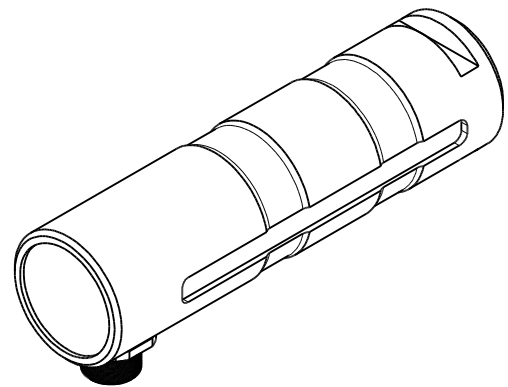
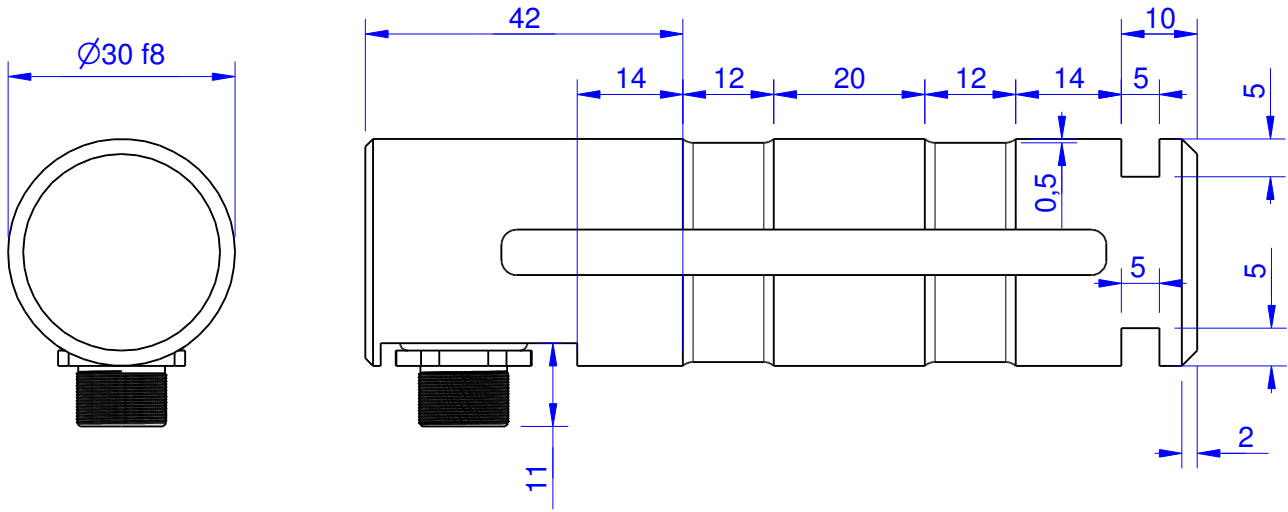


MB233

Load Pin

Content of Loadpin Datasheet

Page 1General
 Page 2Mounting situation
 Page 3Output Signal & Wiring

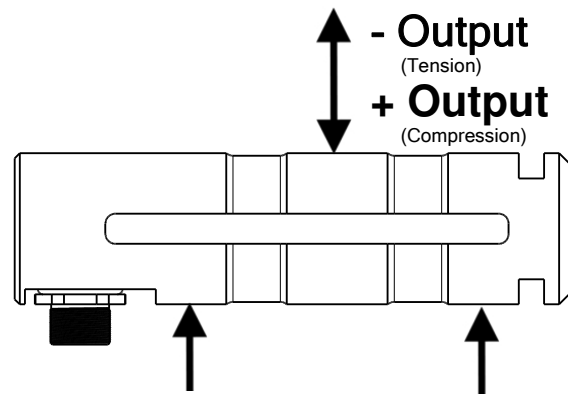


Order-number	Capacity (F.S.)	Uncertainty (k=2)	Review
MB233-5-x-B	5 kN	±0,025kN	B
MB233-10-x-B	10 kN	±0,05 kN	B
MB233-22-x-B	22 kN	±0,11 kN	B
MB233-50-x-B	50 kN	±0,25 kN	B
MB233-100-x-B*	100 kN	±0,50 kN	B

* above showed version
 The fixed dimensions don't change at the other capacity.

Specifications: (Customizing on request)

Dimension / Material		
Material		Stainless Steel
Protection class		IP 66
Hardness (load area)	HRC	38
Mechanical Data		
Safe Load Limit	% of F.S.	150
Breaking Load	% of F.S.	300
Precision		
Nonlinearity	% of F.S.	±0,5
Nonrepeatability	% of F.S.	±0,25
Hysteresis	% of F.S.	±0,2
Temp. Shift Zero	% of F.S./K.	±0,05
Temp. Shift Span	% of F.S./K.	±0,05
Temperature		
Compensated Temp.	°C	-10...+60
Operating Temp.	°C	-20...+70



Batarow
 Made in Germany

Batarow Sensorik GmbH
 Pappelweg 16
 18276 Lüssow OT Karow

Mail: info@batarow.com
 Phone: +49 (0) 3843-855555
 Fax : +49 (0) 3843-218842

Internet:
 www.batarow.com

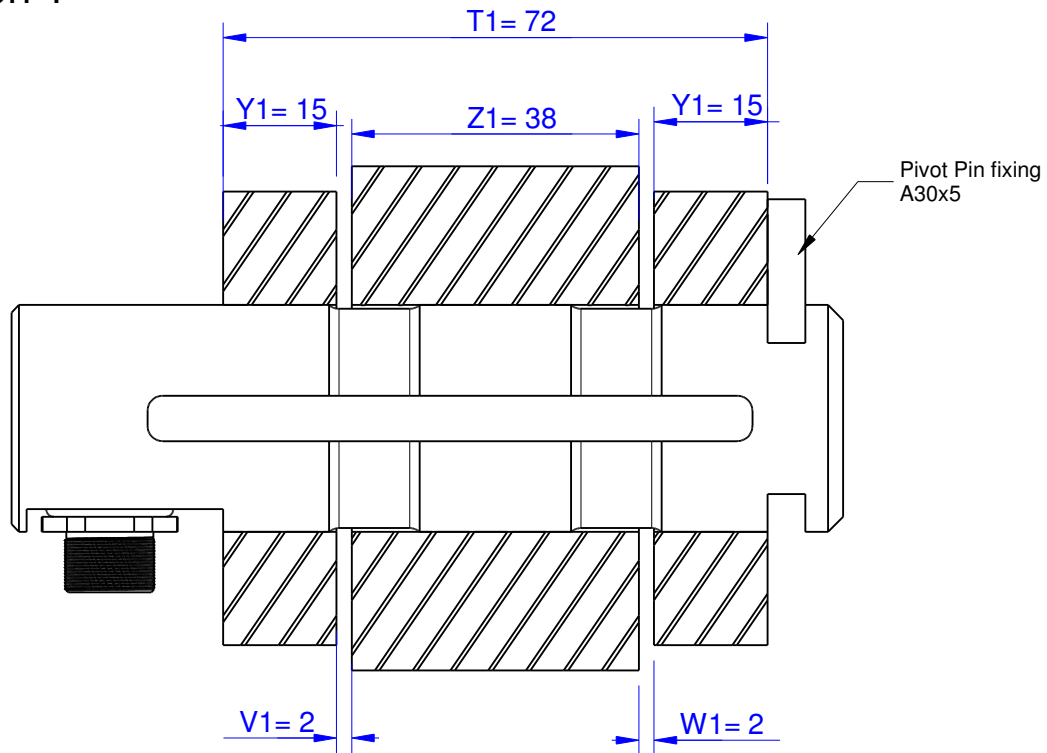
Mounting Situation

Loadpin: MB233

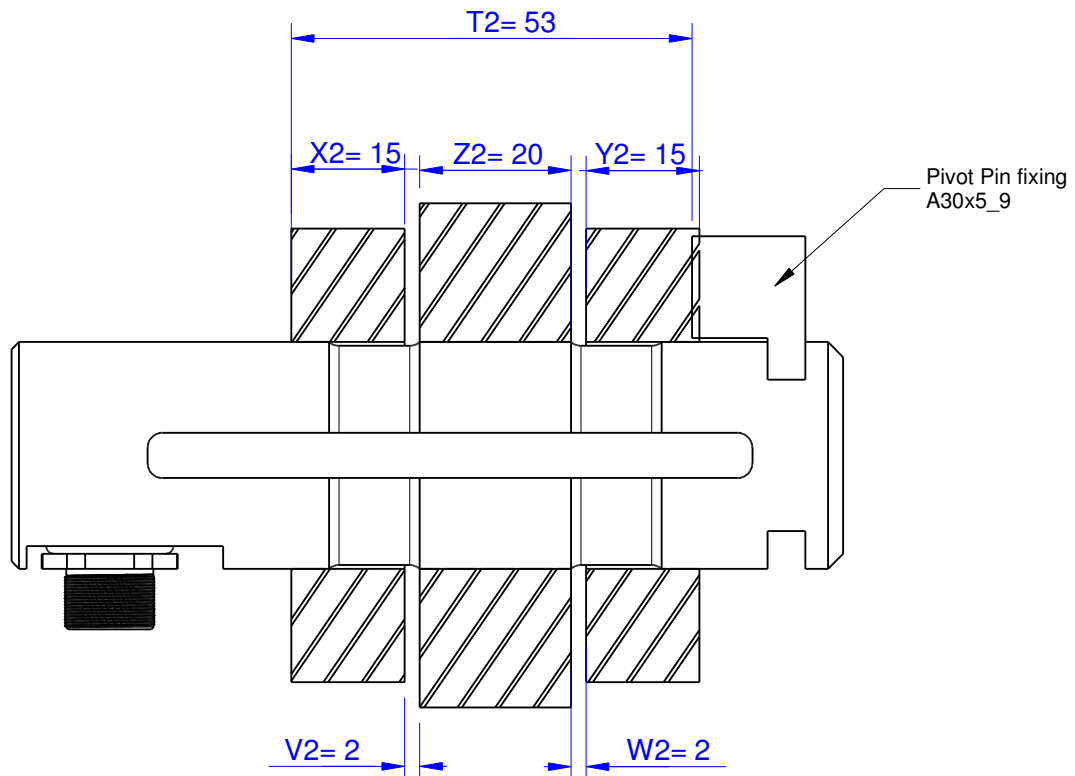
Review: B

Bore fit of mounting situation: H7

Configuration 1



Configuration 2



Output Signal & Wiring

Loadpin: MB233

Review: B

Analog Output mV/V (**S1**)

Electrical Data		
Rated Output	mV/V@F.S.	1
Zero Balance	mV/V	$\pm 0,05$
Exitation (Maximum)	Volt	10
Input Resistance	Ohm	450 ± 100
Output Resistance	Ohm	352 ± 2
Insulating Resistance	GOhm	>5

Wiringcode: WC58		Connectortype: M12 (male)			
2	1	Exitation (+)	Exitation (-)	Bridge (+)	Bridge (-)
3	4	Pin 1	Pin 2	Pin 3	Pin 4

Ordernumber Add on:
MB233-x-**S1**-B

Analog Output 1..10V (**U1**)*

Electrical Data U1		
Output @ 0kN	V	$1\pm 0,2$
Output @ F.S.	V	$10\pm 0,2$
Supply Voltage	V	24 ± 2
Current Consumption	mA	25 (@ 24V)
Bandwidth	kHz	$2,2\pm 0,2$

Wiringcode: WC36		Connectortype: M12 (male)		
2	1	Supply (+)	GND	Output
3	4	Pin 1	Pin 3	Pin 4

Ordernumber Add on:
MB233-x-**U1**-B

Analog Output 4..20mA (**I1**)*

Electrical Data I1		
Output @ 0kN	mA	$4\pm 0,5$
Output @ F.S.	mA	$20\pm 0,5$
Supply Voltage	V	24 ± 2
Current Consumption	mA	45 (@ 24V)
Bandwidth	kHz	$2,2\pm 0,2$

Wiringcode: WC36		Connectortype: M12 (male)		
2	1	Supply (+)	GND	Output
3	4	Pin 1	Pin 3	Pin 4

Ordernumber Add on:
MB233-x-**I1**-B

*Attention - with this output configuration is no negative signal (Tension) possible

Batarow
Made in Germany

Batarow Sensorik GmbH
Pappelweg 16
18276 Lüssow OT Karow

Mail: info@batarow.com
Phone: +49 (0) 3843-855555
Fax : +49 (0) 3843-218842

Internet:
www.batarow.com