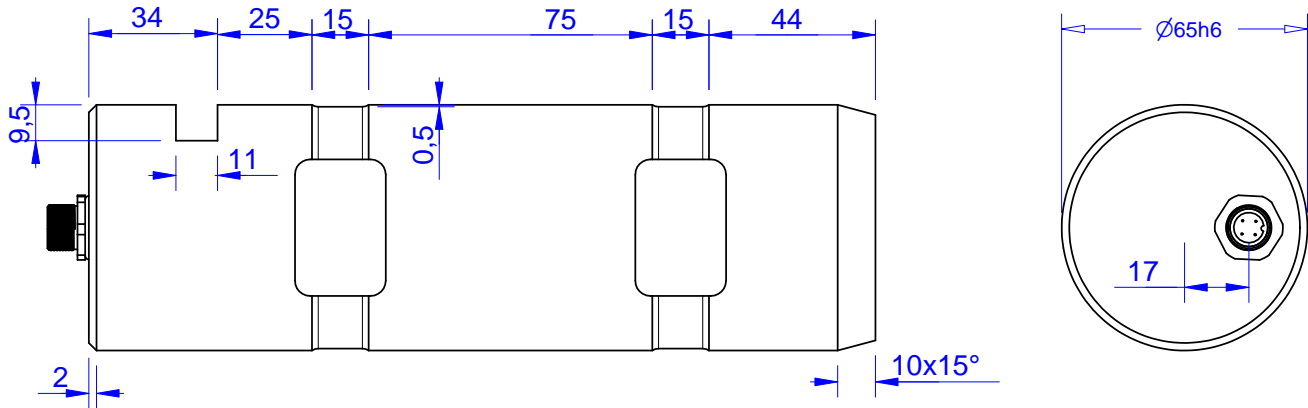


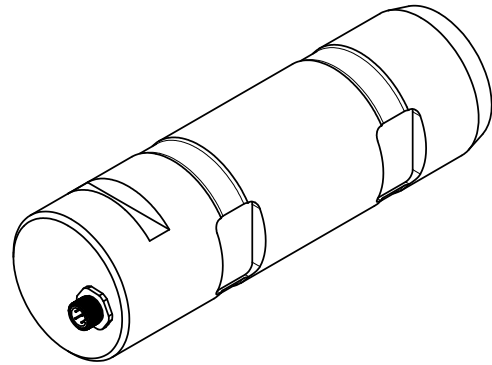
# MB232

Load Pin



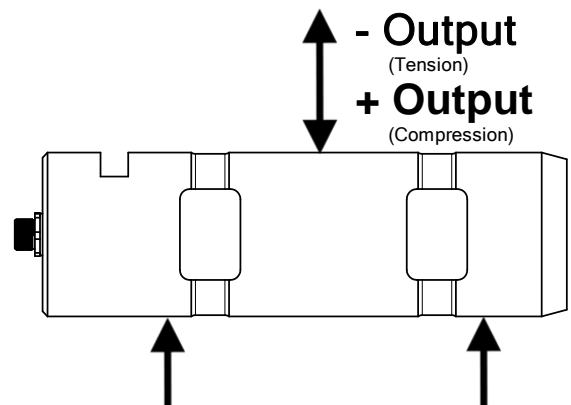
Order no.	Capacity (F.S.)	Review
MB232-20-A	20 kN	A
MB232-50-A	50 kN	A
MB232-100-A	100 kN	A
MB232-200-A*	200 kN	A
MB232-350-A	350 kN	A

\* above showed version  
The fixed dimensions don't change at other capacities.



## Specifications: (Customizing on request)

Dimension / Material		
Material		Stainless Steel
Protection class		IP 66
<b>Mechanical Data</b>		
Safe Load Limit	% of F.S.	150
Breaking Load	% of F.S.	300
<b>Electrical Data</b>		
Rated Output	mV/V@F.S.	1
Zero Balance	mV/V	$\pm 0,05$
Excitation (Maximum)	Volt	10
Input Resistance	Ohm	$800 \pm 100$
Output Resistance	Ohm	$702 \pm 2$
Insulating Resistance	GOhm	$> 5$
<b>Precision</b>		
Precisionclass	%	1
Nonlinearity	% of F.S.	$\pm 0,5$
Nonrepeatability	% of F.S.	$\pm 0,25$
Hysteresis	% of F.S.	$\pm 0,2$
Temp. Shift Zero	% of F.S./K.	$\pm 0,05$
Temp. Shift Span	% of F.S./K.	$\pm 0,05$
<b>Temperature</b>		
Compensated Temp.	$^{\circ}\text{C}$	-10...+60
Operating Temp.	$^{\circ}\text{C}$	-20...+70



Wiringcode: WC7		Connectortype: M12 (male)	
	Excitation (+) Pin 1	Excitation (-) Pin 2	Bridge (+) Pin 3
		Bridge (-) Pin 4	

**Batarow**  
Made in Germany

Batarow Sensorik GmbH  
Karow 17  
18276 Lüssow

Mail: info@batarow.com  
Phone: +49 (0) 3843-855555  
Fax : +49 (0) 3843-218842

Internet:  
www.batarow.com

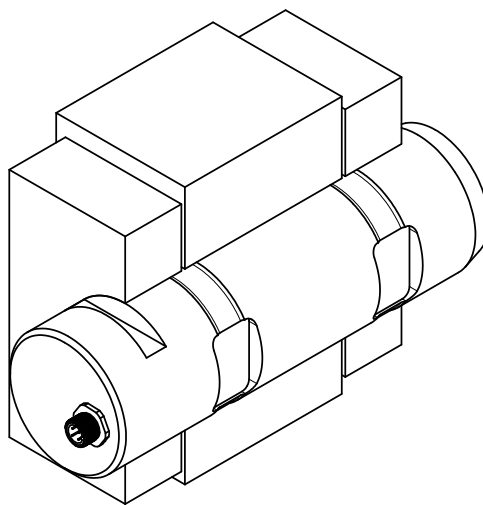
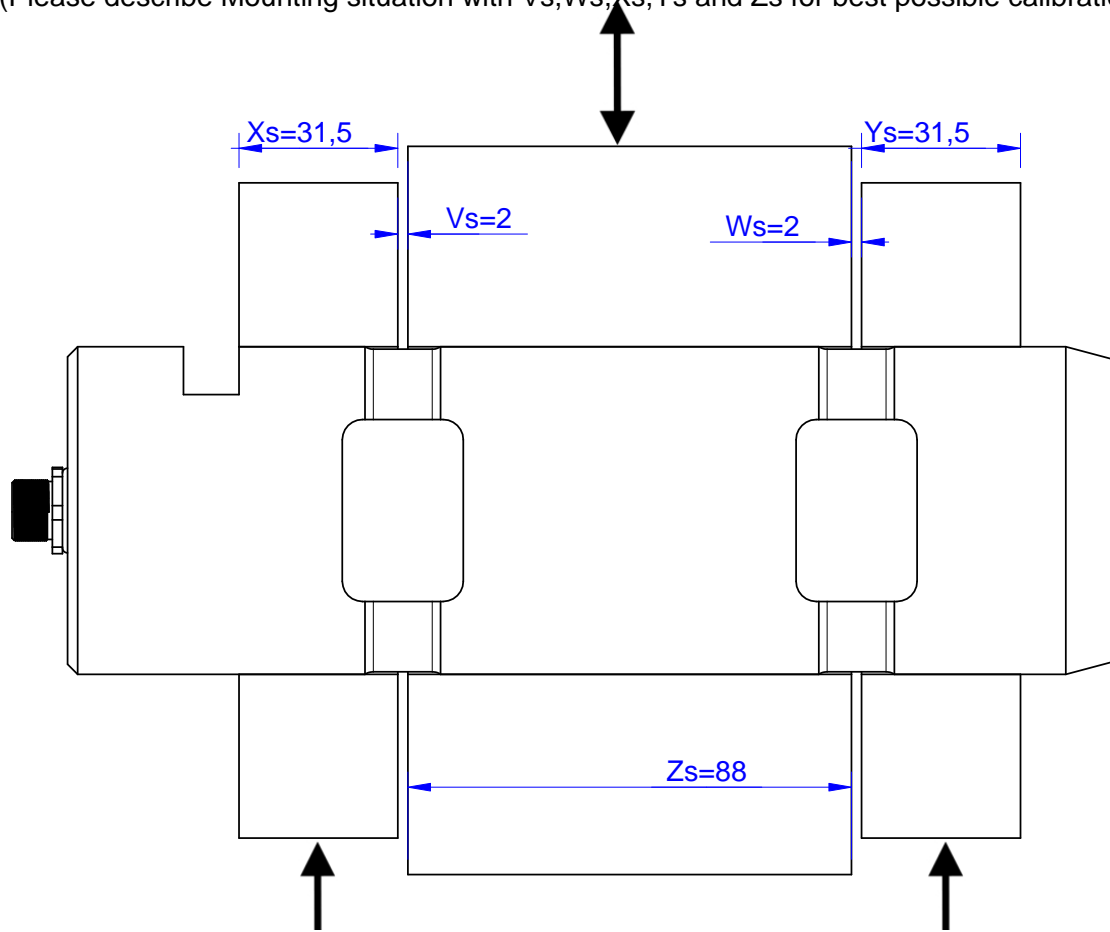
# Mounting Situation

MB163

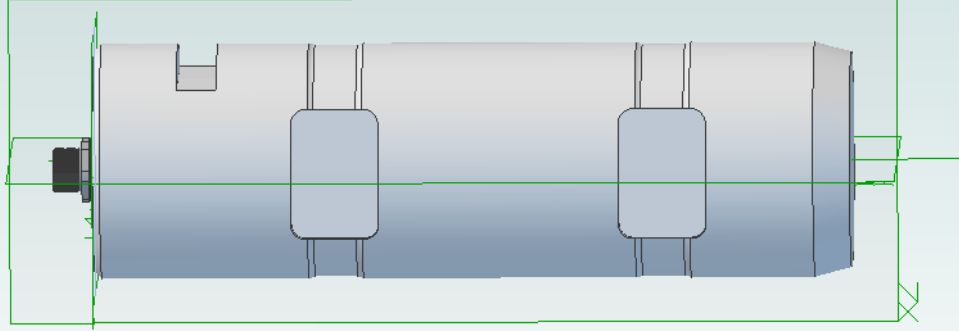
## Configuration 1 (Standard)

possible Mounting Situation / Customer Mounting could vary

(Please describe Mounting situation with Vs,Ws,Xs,Ys and Zs for best possible calibration)



# 3d-pdf loadpin mb232



loadpin: mb232

If you want to view and rotate this model, you have to click on the picture.