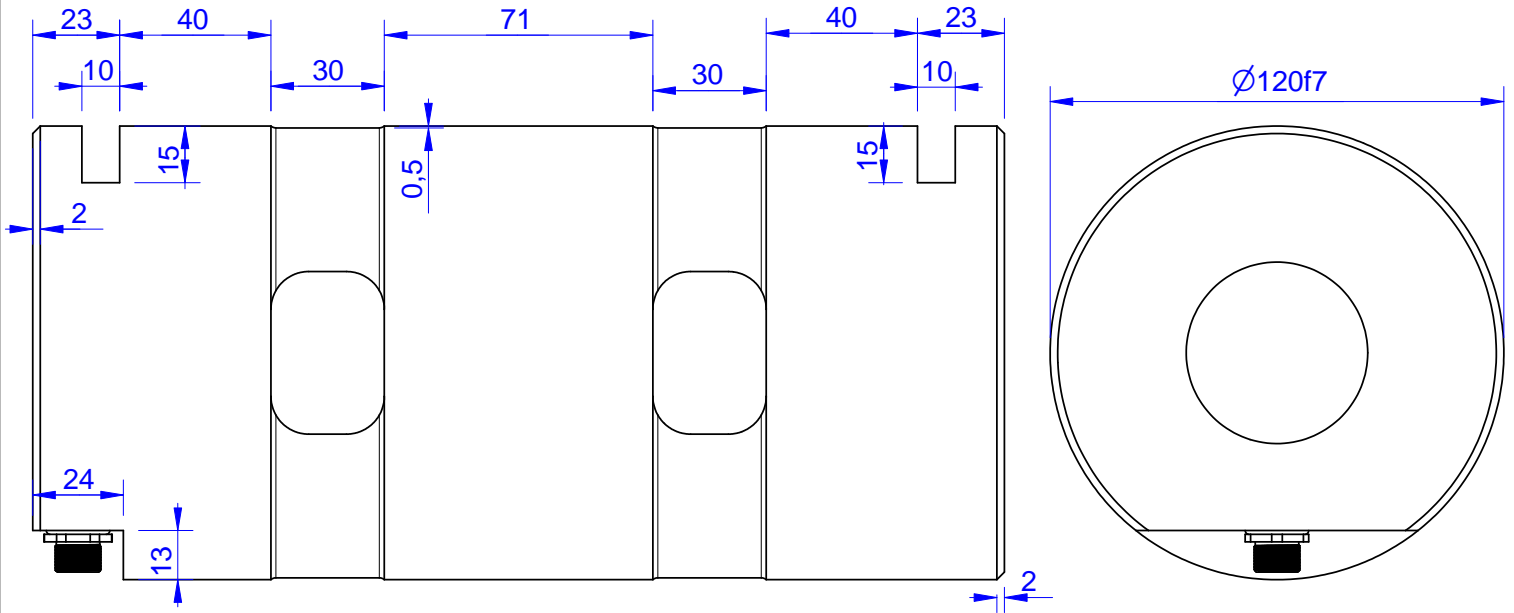


MB226

Load Pin

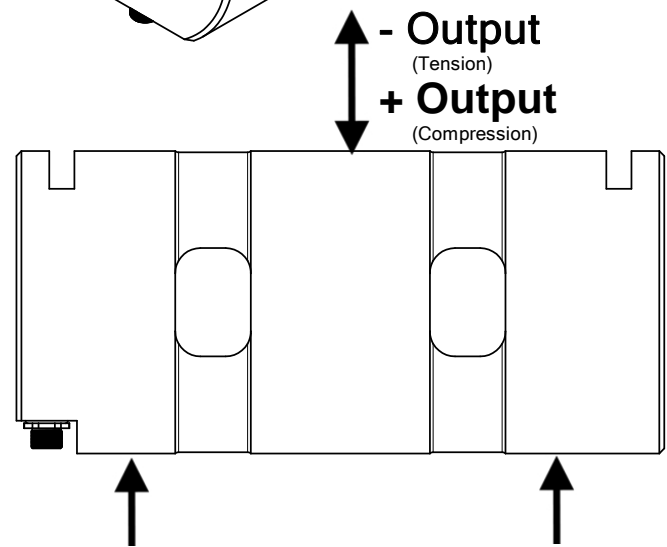
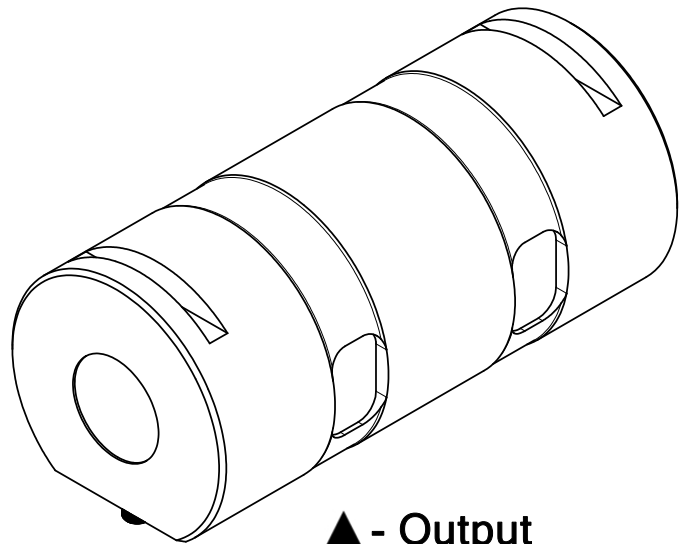


Order no.	Capacity (F.S.)	Review
MB226-25-B	25 kN	B
MB226-100-B	100 kN	B
MB226-200-B	200 kN	B
MB226-500-B	500 kN	B
MB226-1000-B	1000 kN	B
MB226-1250-B*	1250 kN	B

* above showed version
The fixed dimensions don't change at the other capacity.

Specifications: (Customizing on request)

Dimension / Material		
Material		HS Steel
Protection class		IP 64
Mechanical Data		
Safe Load Limit	% of F.S.	150
Breaking Load	% of F.S.	300
Electrical Data		
Rated Output	mV/V@F.S.	1
Zero Balance	mV/V	$\pm 0,05$
Excitation (Maximum)	Volt	10
Input Resistance	Ohm	800 ± 100
Output Resistance	Ohm	702 ± 2
Insulating Resistance	GOhm	> 5
Precision		
Precisionclass	%	1
Nonlinearity	% of F.S.	$\pm 0,5$
Nonrepeatability	% of F.S.	$\pm 0,25$
Hysteresis	% of F.S.	$\pm 0,2$
Temp. Shift Zero	% of F.S./K.	$\pm 0,05$
Temp. Shift Span	% of F.S./K.	$\pm 0,05$
Temperature		
Compensated Temp.	$^{\circ}\text{C}$	-10...+60
Operating Temp.	$^{\circ}\text{C}$	-20...+70



Wiringcode: WC7		Connectortype: M12 (male)		
	Excitation (+)	Excitation (-)	Bridge (+)	Bridge (-)
	Pin 1	Pin 2	Pin 3	Pin 4

Batarow
Made in Germany

Batarow Sensorik GmbH
Karow 17
18276 Lüssow

Mail: info@batarow.com
Phone: +49 (0) 3843-855555
Fax : +49 (0) 3843-218842

Internet:
www.batarow.com

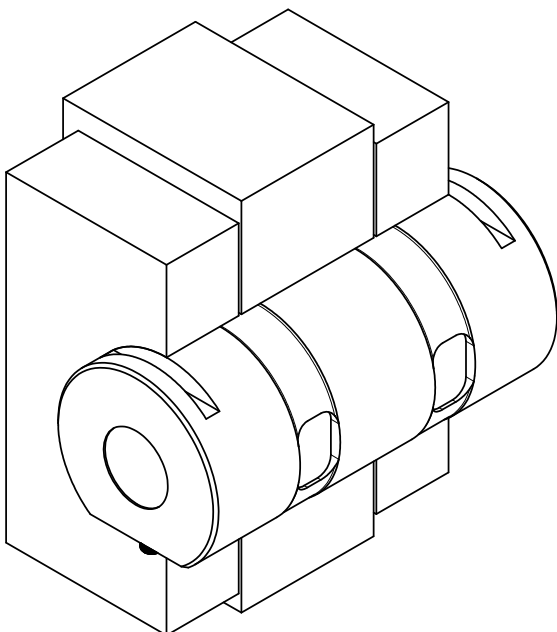
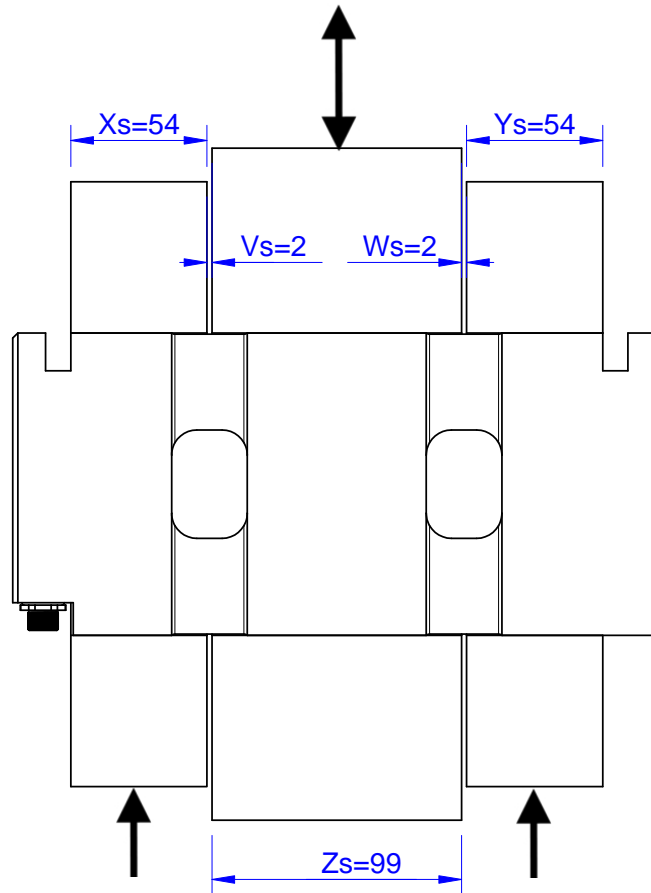
Mounting Situation

MB226 Rev A

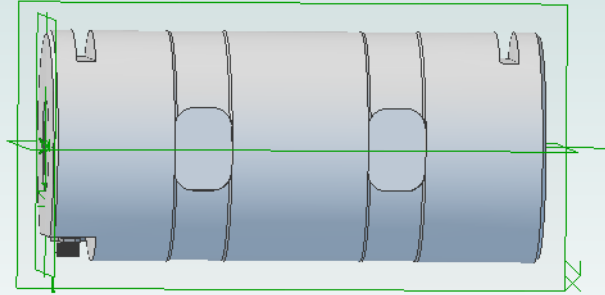
Configuration 1 (Standard)

possible Mounting Situation / Customer Mounting could vary

(Please describe Mounting situation with Vs,Ws,Xs,Ys and Zs for best possible calibration)



3d-pdf loadpin mb226



loadpin: mb226

If you want to view and rotate this model, you have to click on the picture.