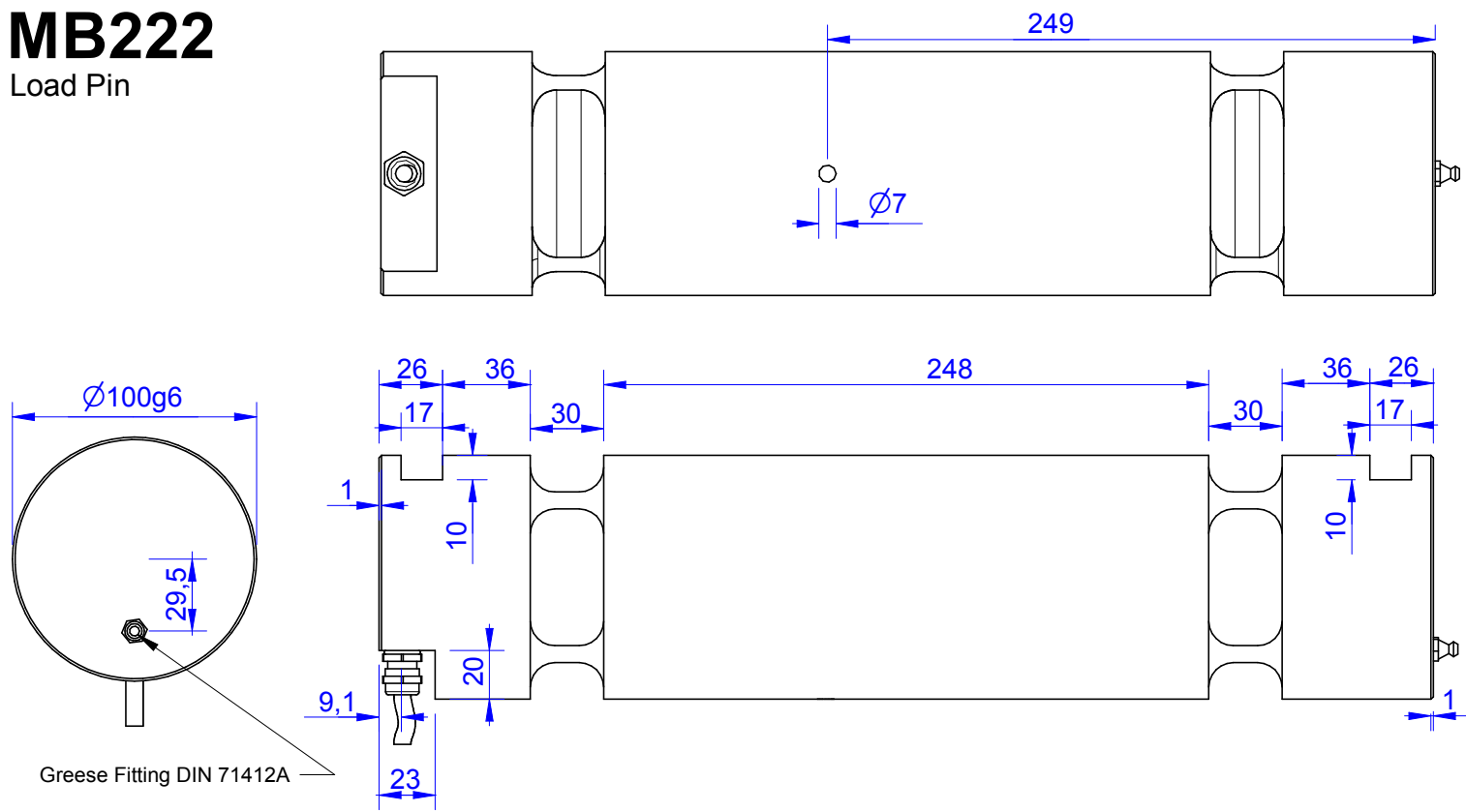


MB222

Load Pin

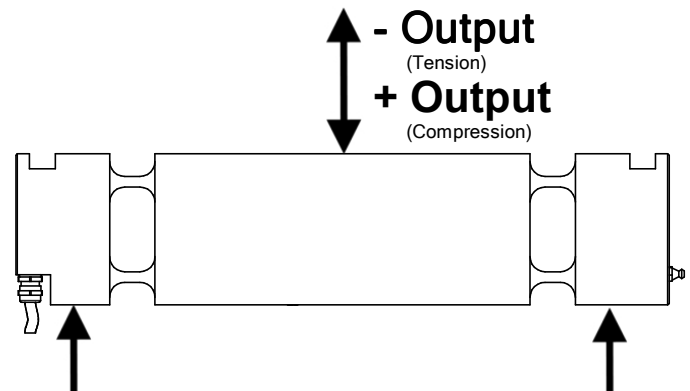
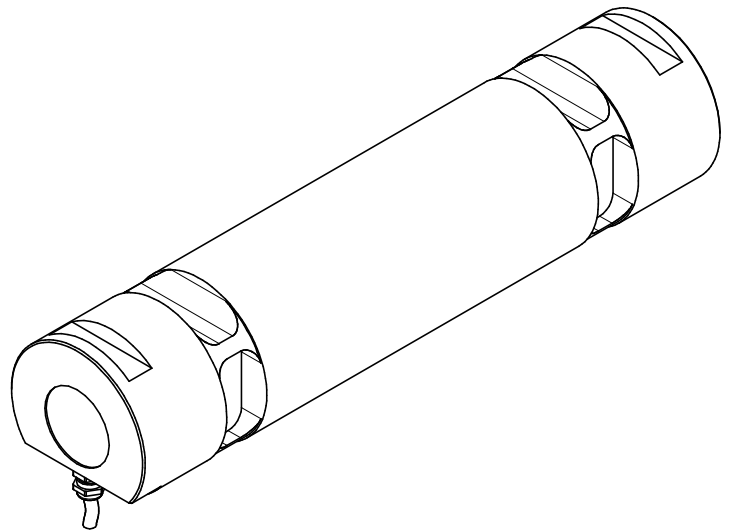


| Order no. | Capacity (F.S.) | Review |
|--------------|-----------------|--------|
| MB222-50-A | 50 kN | A |
| MB222-100-A* | 100 kN | A |
| MB222-200-A | 200 kN | A |
| MB222-500-A | 500 kN | A |
| MB222-800-A | 800 kN | A |

* above showed version
The fixed dimensions don't change at the other capacity.

Specifications: (Customizing on request)

| Dimension / Material | | |
|------------------------|--------------|-----------------|
| Material | | Stainless Steel |
| Protection class | | IP 65 |
| Mechanical Data | | |
| Safe Load Limit | % of F.S. | 150 |
| Breaking Load | % of F.S. | 300 |
| Electrical Data | | |
| Rated Output | mV/V@F.S. | 1 |
| Zero Balance | mV/V | ±0,05 |
| Excitation (Maximum) | Volt | 10 |
| Input Resistance | Ohm | 800±100 |
| Output Resistance | Ohm | 702±2 |
| Insulating Resistance | GOhm | >5 |
| Precision | | |
| Precisionclass | % | 1 |
| Nonlinearity | % of F.S. | ± 0,5 |
| Nonrepeatability | % of F.S. | ± 0,25 |
| Hysteresis | % of F.S. | ± 0,2 |
| Temp. Shift Zero | % of F.S./K. | ±0,05 |
| Temp. Shift Span | % of F.S./K. | ±0,05 |
| Temperature | | |
| Compensated Temp. | °C | -10...+60 |
| Operating Temp. | °C | -20...+70 |



| | | | | |
|-----------------|-------------------------|----------------|------------|------------|
| Wiringcode: WC1 | Cabletype: 3x2x0,25 PUR | | | |
| Cable Length | Excitation (+) | Excitation (-) | Bridge (+) | Bridge (-) |
| 5 m | brown | white | green | yellow |

Batarow
Made in Germany

Batarow Sensorik GmbH
Karow 17
18276 Lüssow

Mail: info@batarow.com
Phone: +49 (0) 3843-855555
Fax : +49 (0) 3843-218842

Internet:
www.batarow.com

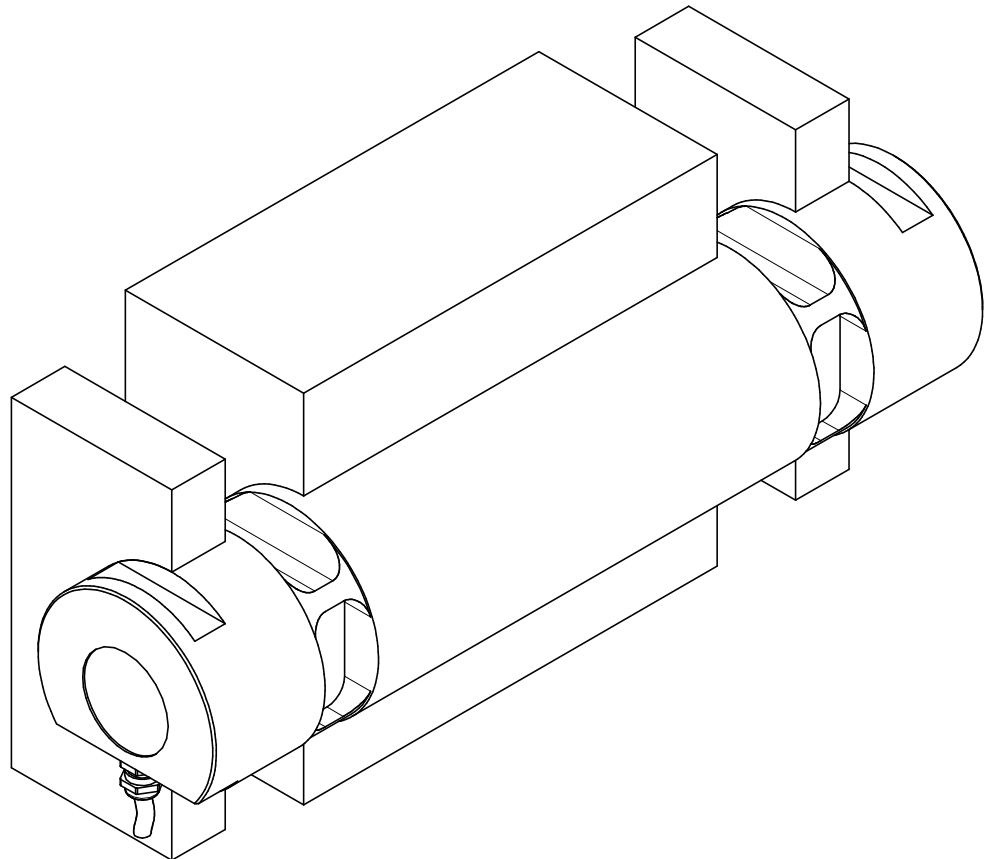
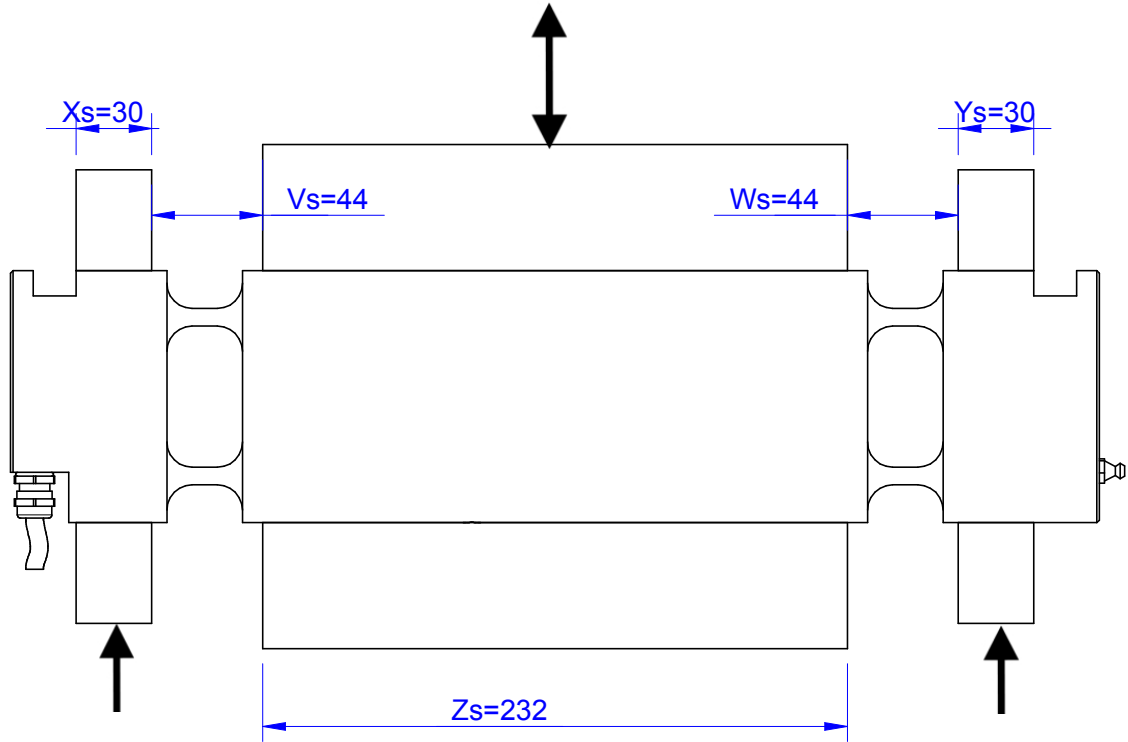
Mounting Situation

MB222 Review: A

Configuration 1 (Standard)

possible Mounting Situation / Customer Mounting could vary

(Please describe Mounting situation with Vs,Ws,Xs,Ys and Zs for best possible calibration)



Batarow
Made in Germany

Batarow Sensorik GmbH
Karow 17
18276 Lüssow

Mail: info@batarow.com
Phone: +49 (0) 3843-855555
Fax : +49 (0) 3843-218842

Internet:
www.batarow.com