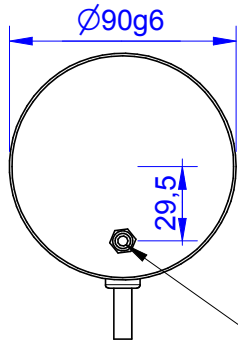
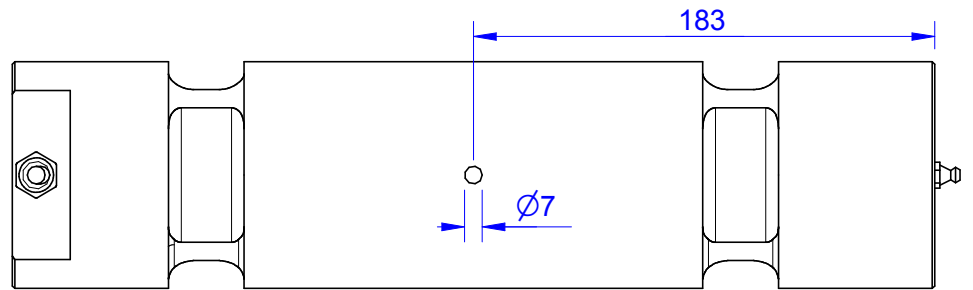
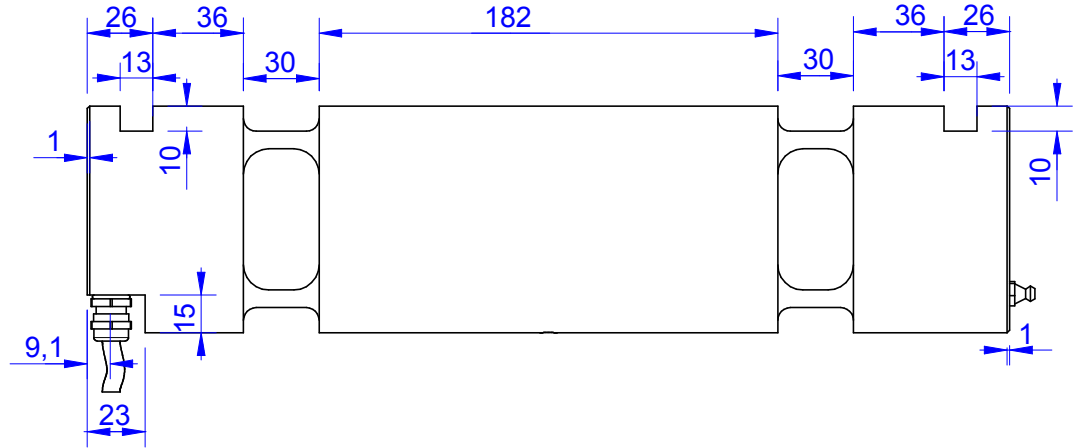


MB221

Load Pin

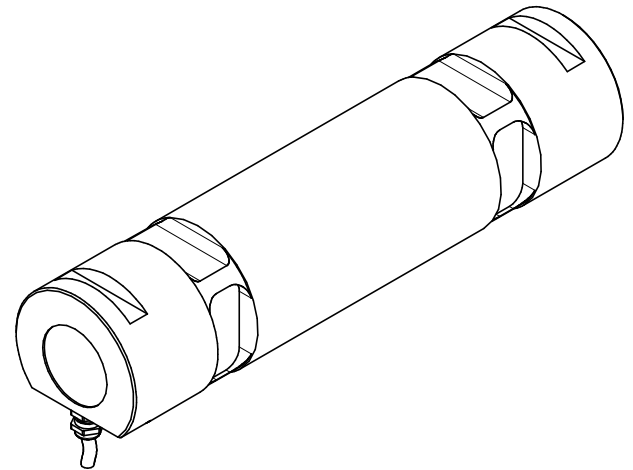


Grease Fitting DIN 71412A



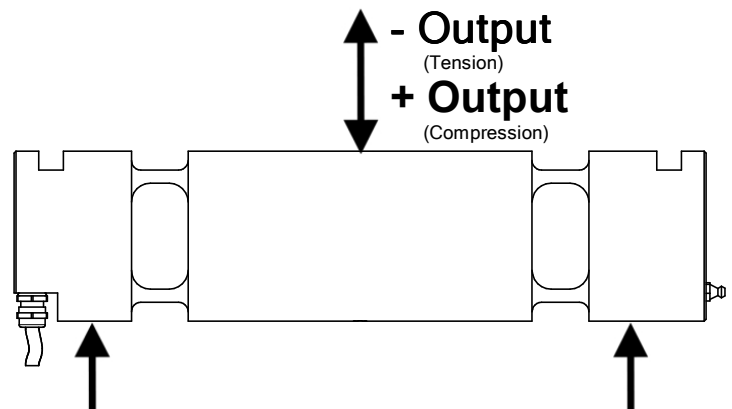
Order no.	Capacity (F.S.)	Review
MB221-50-B	50 kN	B
MB221-100-B*	100 kN	B
MB221-200-B	200 kN	B
MB221-500-B	500 kN	B
MB221-750-B	750 kN	B

* above showed version
The fixed dimensions don't change at the other capacity.



Specifications: (Customizing on request)

Dimension / Material		
Material		Stainless Steel
Protection class		IP 66
Mechanical Data		
Safe Load Limit	% of F.S.	150
Breaking Load	% of F.S.	300
Electrical Data		
Rated Output	mV/V@F.S.	1
Zero Balance	mV/V	±0,05
Excitation (Maximum)	Volt	10
Input Resistance	Ohm	800±100
Output Resistance	Ohm	702±2
Insulating Resistance	GOhm	>5
Precision		
Precisionclass	%	1
Nonlinearity	% of F.S.	± 0,5
Nonrepeatability	% of F.S.	± 0,25
Hysteresis	% of F.S.	± 0,2
Temp. Shift Zero	% of F.S./K.	±0,05
Temp. Shift Span	% of F.S./K.	±0,05
Temperature		
Compensated Temp.	°C	-10...+60
Operating Temp.	°C	-20...+70



Wiringcode: WC1	Cabletype: 3x2x0,25 PUR			
Cable Length	Excitation (+)	Excitation (-)	Bridge (+)	Bridge (-)
5 m	brown	white	green	yellow

Batarow
Made in Germany

Batarow Sensorik GmbH
Karow 17
18276 Lüssow

Mail: info@batarow.com
Phone: +49 (0) 3843-855555
Fax : +49 (0) 3843-218842

Internet:
www.batarow.com

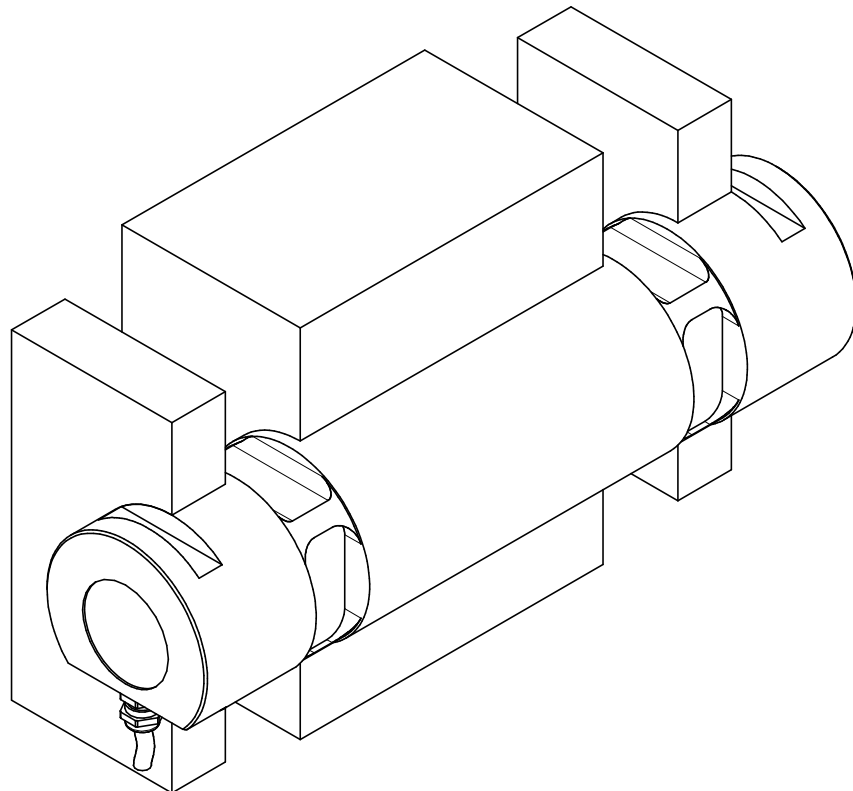
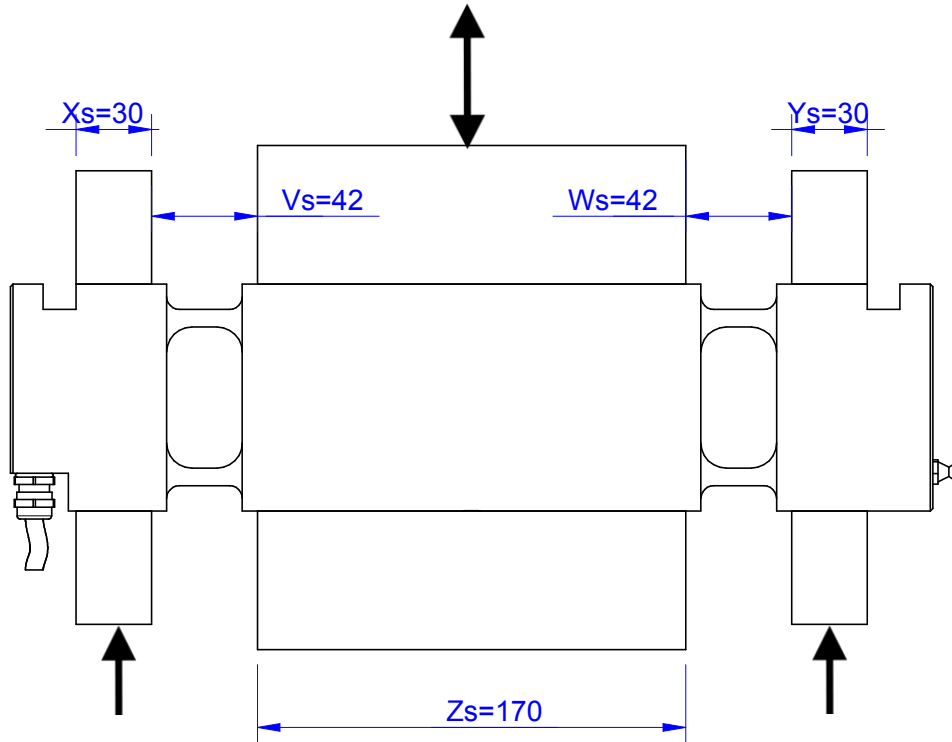
Mounting Situation

MB221 Review: B

Configuration 1 (Standard)

possible Mounting Situation / Customer Mounting could vary

(Please describe Mounting situation with Vs,Ws,Xs,Ys and Zs for best possible calibration)



Batarow
Made in Germany

Batarow Sensorik GmbH
Karow 17
18276 Lüssow

Mail: info@batarow.com
Phone: +49 (0) 3843-855555
Fax : +49 (0) 3843-218842

Internet:
www.batarow.com