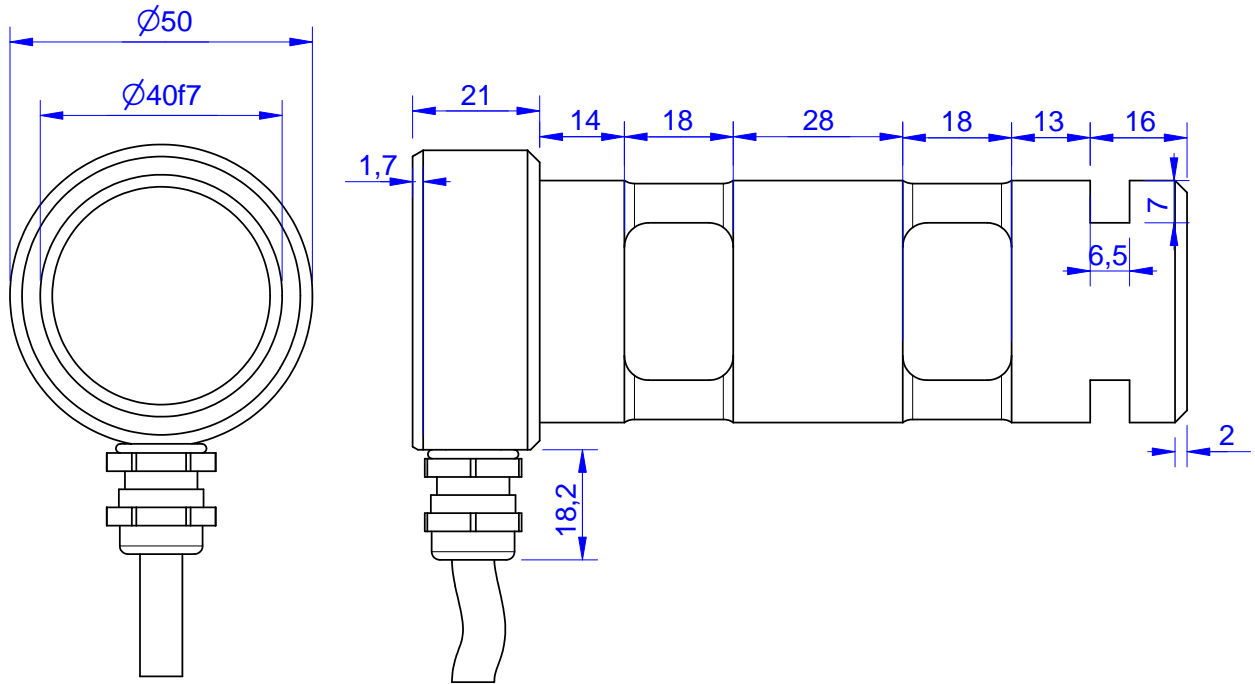


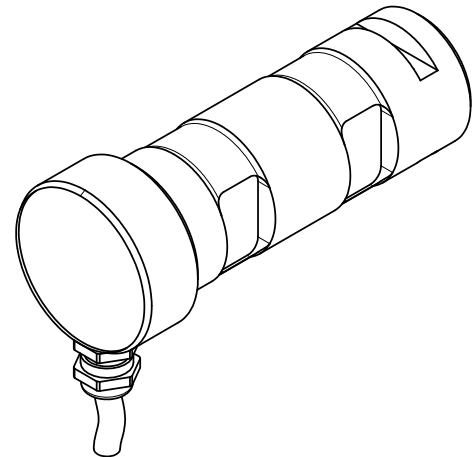
# MB217

Load Pin



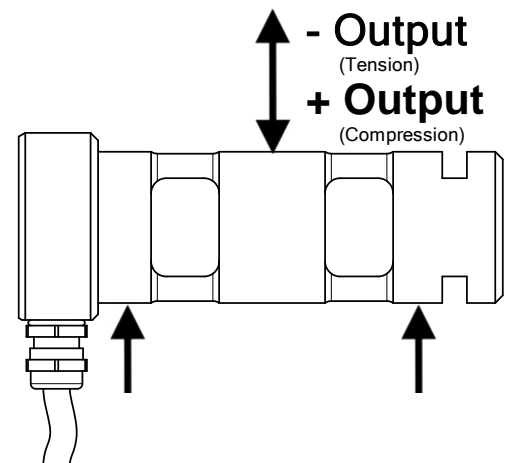
Order no.	Capacity (F.S.)	Review
MB217-10-B	10 kN	B
MB217-25-B*	25 kN	B
MB217-50-B	50 kN	B
MB217-100-B	100 kN	B
MB217-150-B	150 kN	B

\* above showed version  
The fixed dimensions don't change at the other capacity.



## Specifications: (Customizing on request)

Dimension / Material		
Material		Stainless Steel
Protection class		IP 66
<b>Mechanical Data</b>		
Safe Load Limit	% of F.S.	150
Breaking Load	% of F.S.	300
<b>Electrical Data</b>		
Rated Output	mV/V@F.S.	1
Zero Balance	mV/V	±0,05
Excitation (Maximum)	Volt	10
Input Resistance	Ohm	800±100
Output Resistance	Ohm	702±2
Insulating Resistance	GOhm	>5
<b>Precision</b>		
Precisionclass	%	1
Nonlinearity	% of F.S.	± 0,5
Nonrepeatability	% of F.S.	± 0,25
Hysteresis	% of F.S.	± 0,2
Temp. Shift Zero	% of F.S./K.	±0,05
Temp. Shift Span	% of F.S./K.	±0,05
<b>Temperature</b>		
Compensated Temp.	°C	-10...+60
Operating Temp.	°C	-20...+70



Wiringcode: WC1		Cabletype: 2x2x0,25		
Cable Length	Excitation (+)	Excitation (-)	Bridge (+)	Bridge (-)
5 m	brown	white	green	yellow

**Batarow**  
Made in Germany

Batarow Sensorik GmbH  
Karow 17  
18276 Lüssow

Mail: info@batarow.com  
Phone: +49 (0) 3843-855555  
Fax : +49 (0) 3843-218842

Internet:  
www.batarow.com

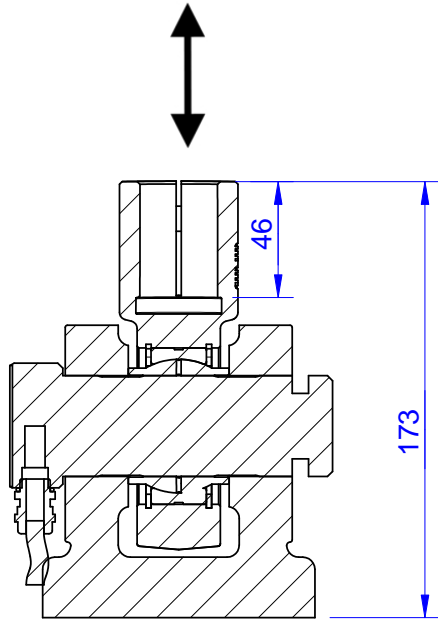
# Mounting Situation

MB217 RevA

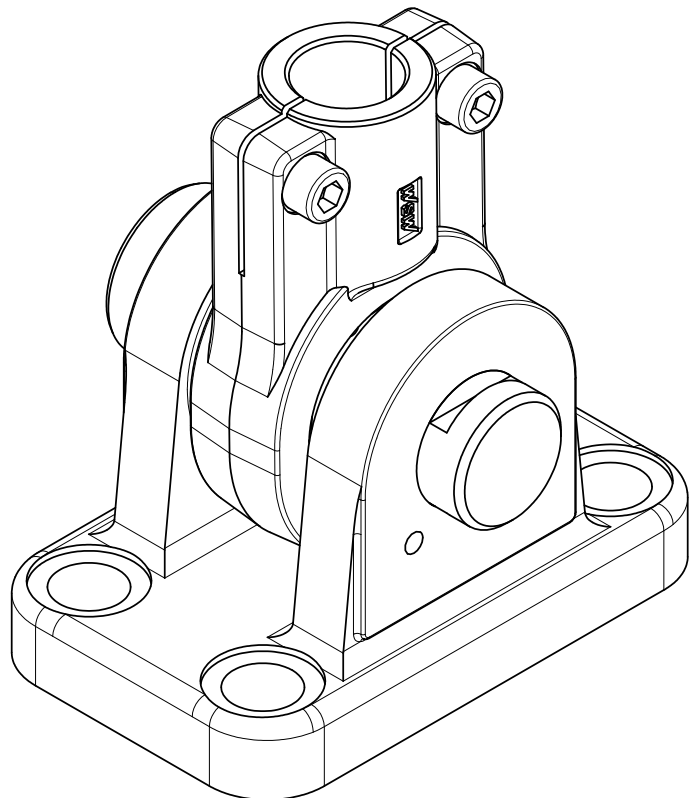
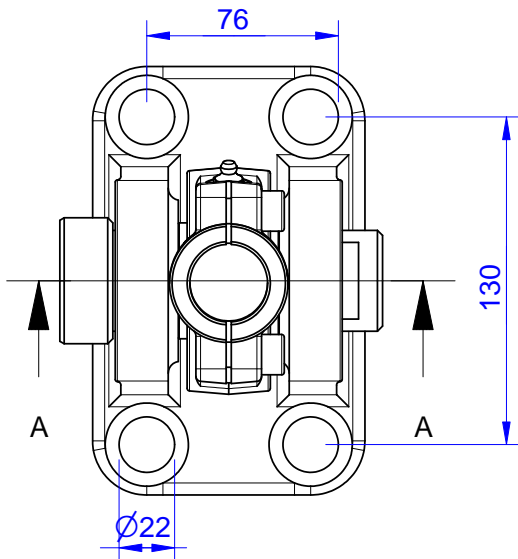
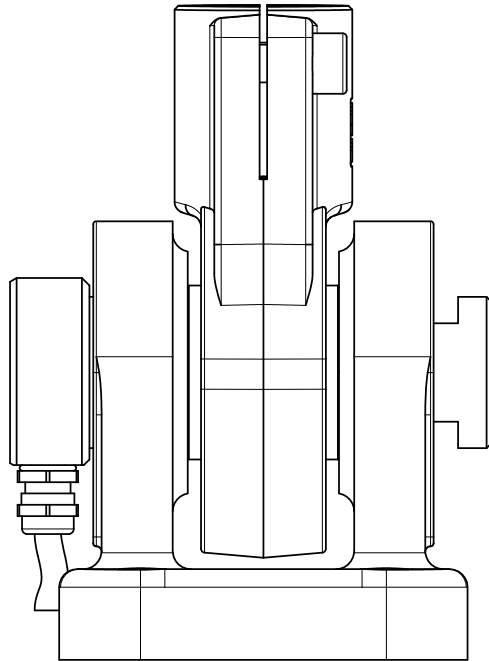
## Configuration 1 (Standard)

possible Mounting Situation / Customer Mounting could vary

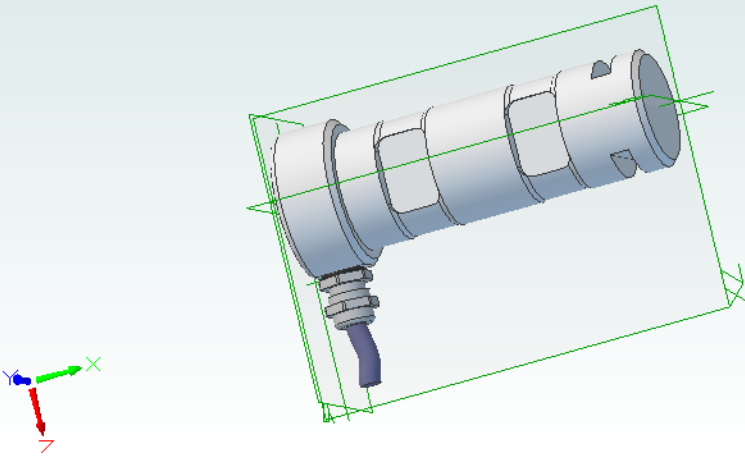
(Please describe Mounting situation with Vs,Ws,Xs,Ys and Zs for best possible calibration)



Section A-A



# 3d-pdf loadpin mb217



loadpin: mb217

If you want to view and rotate this model, you have to click on the picture.