

# MB1098

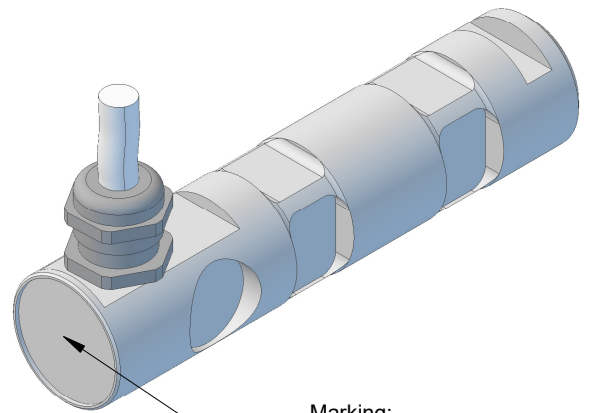
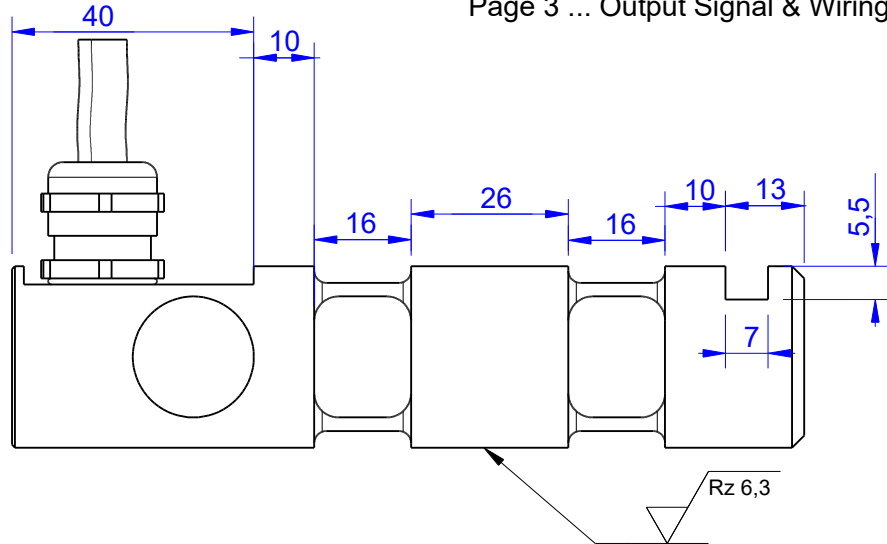
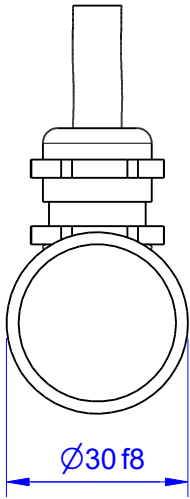
redundant Load Pin

## Content of Loadpin Datasheet

Page 1 ... General

Page 2 ... Mounting Situation

Page 3 ... Output Signal & Wiring



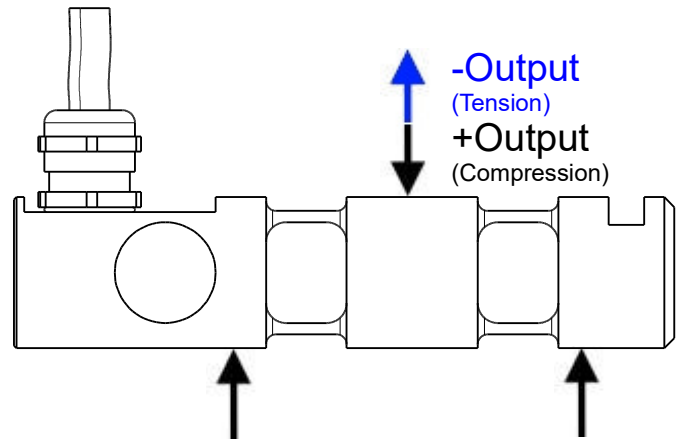
Marking:  
 Loadpin: MBx  
 Orderno.: MBx-xxx-x-x  
 Serialno.: xxxxxxxx  
 www.batarow.com  
 Made in Germany

Order-number	Capacity (F.S.)	Uncertainty (k=2)	Review
MB1098-5-x-B	5 kN	±0,025kN	B
MB1098-10-x-B	10 kN	±0,05 kN	B
MB1098-20-x-B*	20 kN	±0,10 kN	B
MB1098-50-x-B	50 kN	±0,25 kN	B
MB1098-80-x-B	100 kN	±0,40 kN	B

\* above showed version  
 The fixed dimensions don't change at the other capacity.

## Specifications:

Dimension / Material		Stainless Steel
Material		Stainless Steel
Protection class		IP 66
Hardness (load area)	HRC	41..45
<b>Mechanical Data</b>		
Safe Load Limit	% of F.S.	150
Breaking Load	% of F.S.	300
<b>Precision</b>		
Nonlinearity	% of F.S.	±0,5
Nonrepeatability	% of F.S.	±0,25
Hysteresis	% of F.S.	±0,2
Temp. Shift Zero	% of F.S./K.	±0,05
Temp. Shift Span	% of F.S./K.	±0,05
<b>Temperature</b>		
Compensated Temp.	°C	-10...+60
Operating Temp.	°C	-20...+70



**Batarow**  
 Made in Germany

Batarow Sensorik GmbH  
 Gewerbegebiet 4  
 18276 Lüssow OT Karow

Mail: info@batarow.com  
 Phone: +49 (0) 3843-855555  
 Fax : +49 (0) 3843-855556

**Internet:**  
 www.batarow.com

# Mounting Situation

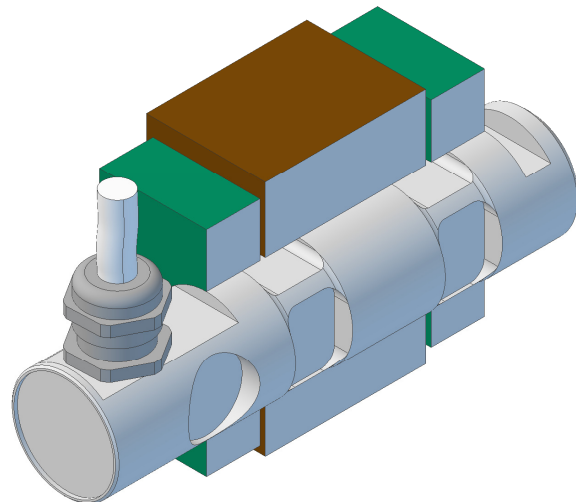
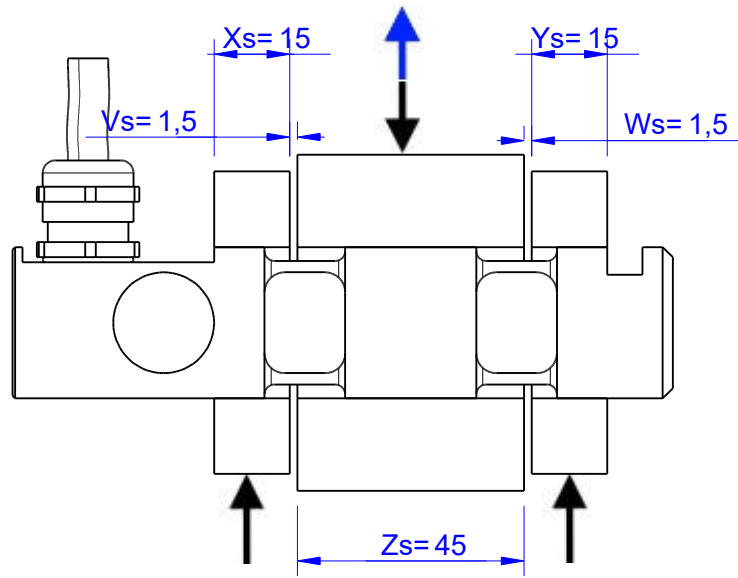
MB1098 Review: B

Bore fit of mounting situation: H7

## Configuration

possible mounting situation / customer mounting could vary

(Please describe mounting situation with Vs, Ws, Xs, Ys and Zs for best possible calibration)



**Batarow**  
Made in Germany

Batarow Sensorik GmbH  
Gewerbegebiet 4  
18276 Lüssow OT Karow

Mail: [info@batarow.com](mailto:info@batarow.com)  
Phone: +49 (0) 3843-855555  
Fax : +49 (0) 3843-855556

Internet:  
[www.batarow.com](http://www.batarow.com)

# Output Signal & Wiring

MB1098 Review: B

## Analog Output 1V..10V (U1)\*

Electrical Data U1		
Output @ 0kN	V	1±0,2
Output @ F.S.	V	10±0,2
Supply Voltage	V	24±2
Current Consumption	mA	25 (@ 24V)
Bandwidth	kHz	2,2±0,2

Wiringcode:WC515			
integrated Amplifier GSV			
Cabeling: 10m 3x2x0,25 PVC			
Master		Slave	
Supply (+)	brown	Supply (+)	yellow
Ground (-)	white	Ground (-)	grey
Output	green	Output	pink

Ordernumber Add-On:  
MBxxx-x-U1-x

## Analog Output 4..20mA (I1)\*

Electrical Data I1		
Output @ 0kN	mA	4±0,5
Output @ F.S.	mA	20±0,5
Supply Voltage	V	24±2
Current Consumption	mA	45 (@ 24V)
Bandwidth	kHz	2,2±0,2

Wiringcode:WC515			
integrated Amplifier GSV			
Cabeling: 10m 3x2x0,25 PVC			
Master		Slave	
Supply (+)	brown	Supply (+)	yellow
Ground (-)	white	Ground (-)	grey
Output	green	Output	pink

Ordernumber Add-On:  
MBxxx-x-I1-x

## Analog & Switch Output 0V..10V (U20)\*

Electrical Data U20		
Output @ 0kN	V	0
Output @ F.S.	V	10
Supply Voltage	V	11..30
Current Consumption	mA	15 (@ 24V)
Bandwidth	Hz	105
Switching Output		Open Collector
max. Switching current	mA	100

Wiringcode:WC507			
integrated Amplifier GSV-15			
Cabeling: 5m 2x4x0,14			
Master		Slave	
Supply (+)	brown	Supply (+)	pink
Ground (-)	white	Ground (-)	blue
Output	green	Output	red
Tare	yellow	Tare	yellow
Scale	grey	Scale	grey

Ordernumber Add-On:  
MBxxx-x-U20-x

## Analog & Switch Output 4..20mA (I20)\*

Electrical Data I20		
Output @ 0kN	mA	4
Output @ F.S.	mA	20
Supply Voltage	V	11..30
Current Consumption	mA	15 (@ 24V)
Bandwidth	Hz	105
Switching Output		Open Collector
max. Switching current	mA	100

Wiringcode:WC507			
integrated Amplifier GSV-15			
Cabeling: 5m 2x4x0,14			
Master		Slave	
Supply (+)	brown	Supply (+)	pink
Ground (-)	white	Ground (-)	blue
Output	green	Output	red
Tare	yellow	Tare	yellow
Scale	grey	Scale	grey

Ordernumber Add-On:  
MBxxx-x-I20-x

Attention: Nipple orientation of connector is not fixed. In case of 90° connector - it is necessary to set by customer.

\*Attention: With this output configuration is no negative signal (Tension) possible. Please ask our engineering for 4..12..20mA; 1..5..9V or ±10V versions.

**Batarow**  
Made in Germany

Batarow Sensorik GmbH  
Gewerbegebiet 4  
18276 Lüssow OT Karow

Mail: [info@batarow.com](mailto:info@batarow.com)  
Phone: +49 (0) 3843-855555  
Fax : +49 (0) 3843-855556

**Internet:**  
[www.batarow.com](http://www.batarow.com)