

MB1058

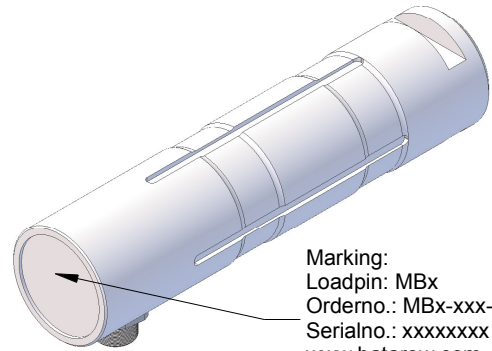
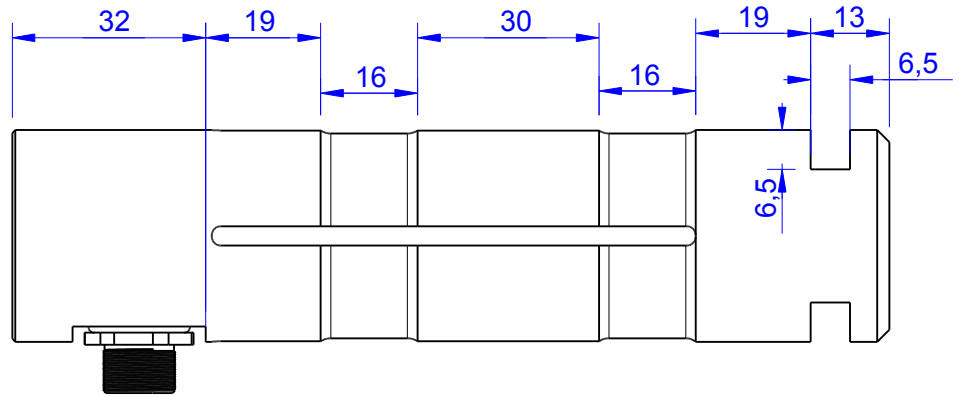
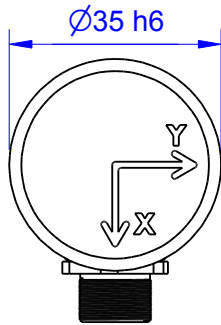
Load Pin

Content of Loadpin Datasheet

Page 1 ... General

Page 2 ... Mounting Situation

Page 3 ... Output Signal & Wiring



Marking:
Loadpin: MBx
Orderno.: MBx-xxx-x-x
Serialno.: xxxxxxxx
www.batarow.com
Made in Germany

Order-number	Capacity (F.S.)	Uncertainty (k=2)	Review
MB1058-5-x-B	5 kN	±0,025kN	B
MB1058-10-x-B	10 kN	±0,05 kN	B
MB1058-20-x-B	20 kN	±0,10 kN	B
MB1058-50-x-B	50 kN	±0,25 kN	B
MB1058-180-x-B*	180 kN	±0,90 kN	B

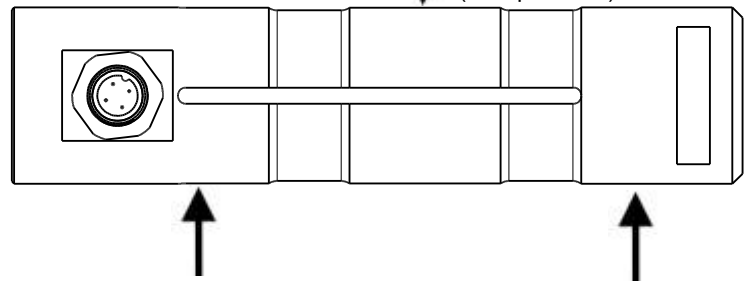
* above showed version
The fixed dimensions don't change at the other capacity.

Specifications:

Dimension / Material		
Material		Steel
Protection class		IP 66
Hardness (load area)	HRC	60
Mechanical Data		
Safe Load Limit	% of F.S.	120
Breaking Load	% of F.S.	200
Precision		
Nonlinearity	% of F.S.	±0,5
Nonrepeatability	% of F.S.	±0,25
Hysteresis	% of F.S.	±0,2
Temp. Shift Zero	% of F.S./K.	±0,05
Temp. Shift Span	% of F.S./K.	±0,05
Temperature		
Compensated Temp.	°C	-10...+60
Operating Temp.	°C	-20...+70

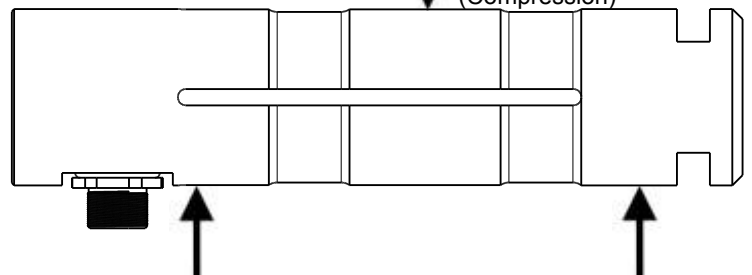
Y-Axis:

↑ -Output (Tension)
↓ +Output (Compression)



X-Axis:

↑ -Output (Tension)
↓ +Output (Compression)



Batarow
Made in Germany

Batarow Sensorik GmbH
Pappelweg 16
18276 Lüssow OT Karow

Mail: info@batarow.com
Phone: +49 (0) 3843-855555
Fax : +49 (0) 3843-218842

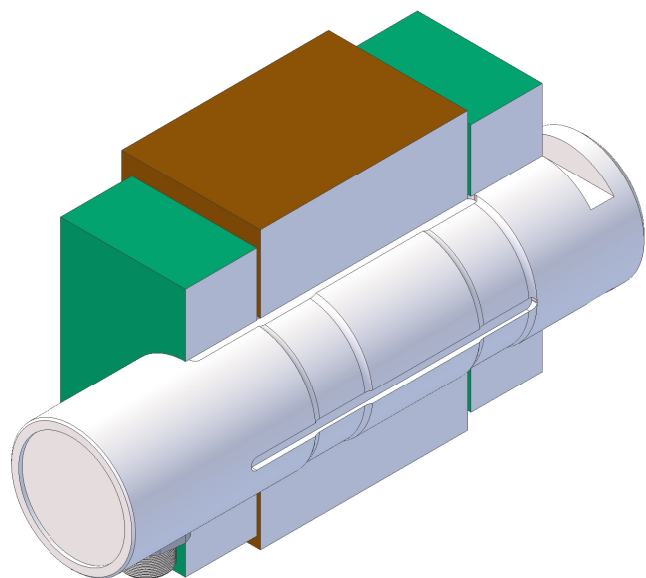
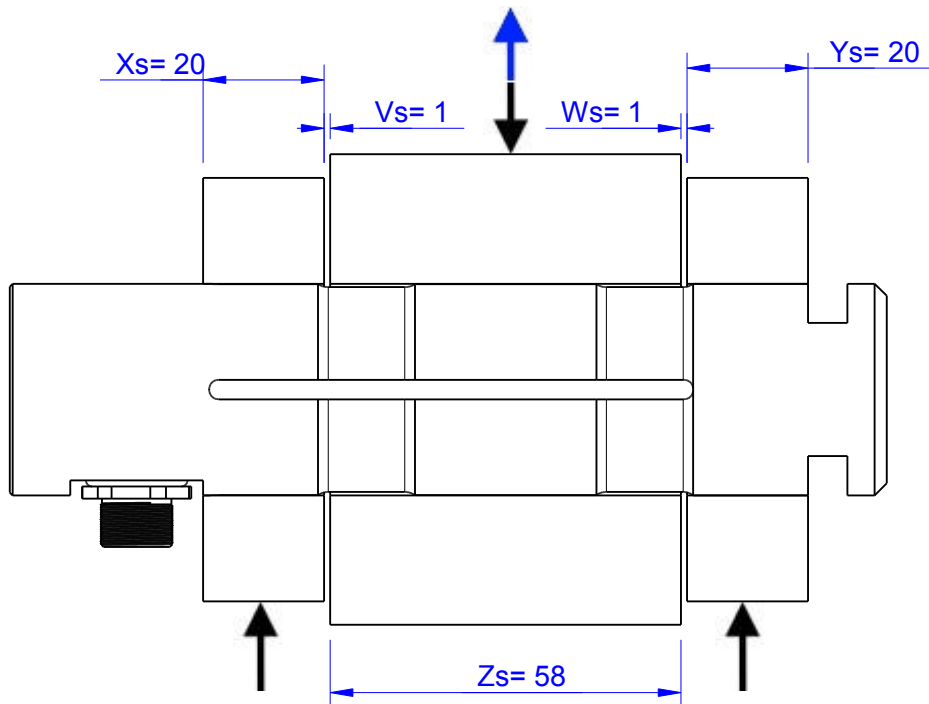
Internet:
www.batarow.com

Mounting Situation

MB1058 Review: B
Bore fit of mounting situation: G7

Configuration

possible mounting situation / customer mounting could vary
(Please describe mounting situation with Vs, Ws, Xs, Ys and Zs for best possible calibration)



Batarow
Made in Germany

Batarow Sensorik GmbH
Pappelweg 16
18276 Lüssow OT Karow

Mail: info@batarow.com
Phone: +49 (0) 3843-855555
Fax : +49 (0) 3843-218842

Internet:
www.batarow.com

Output Signal & Wiring


MB1058 Review: B

Analog Output mV/V (S1)

Electrical Data		
Rated Output	mV/V@F.S.	2
Zero Balance	mV/V	±0,05
Excitation (Maximum)	Volt	10
Input Resistance	Ohm	1200±200
Output Resistance	Ohm	100±2
Insulating Resistance	GOhm	>5

Ordernumber Add-On:

MBxxx-x-S1-x

Wiringcode: WC56			
Cabeling: M12 Male Socket / Flanschdose (male)			
+Us (Fx)	Pin 2 / brown	+Us (Fy)	Pin 6 / pink
-Us (Fx)	Pin 1 / white	-Us (Fy)	Pin 5 / grey
+Ud (Fx)	Pin 3 / green	+Ud (Fy)	Pin 7 / blue
-Ud (Fx)	Pin 4 / yellow	-Ud (Fy)	Pin 8 / red

Attention: Nipple orientation of connector is not fixed. In case of 90° connector - it is necessary to set by customer.

Batarow
Made in Germany

Batarow Sensorik GmbH
Pappelweg 16
18276 Lüssow OT Karow

Mail: info@batarow.com
Phone: +49 (0) 3843-855555
Fax : +49 (0) 3843-218842

Internet:
www.batarow.com