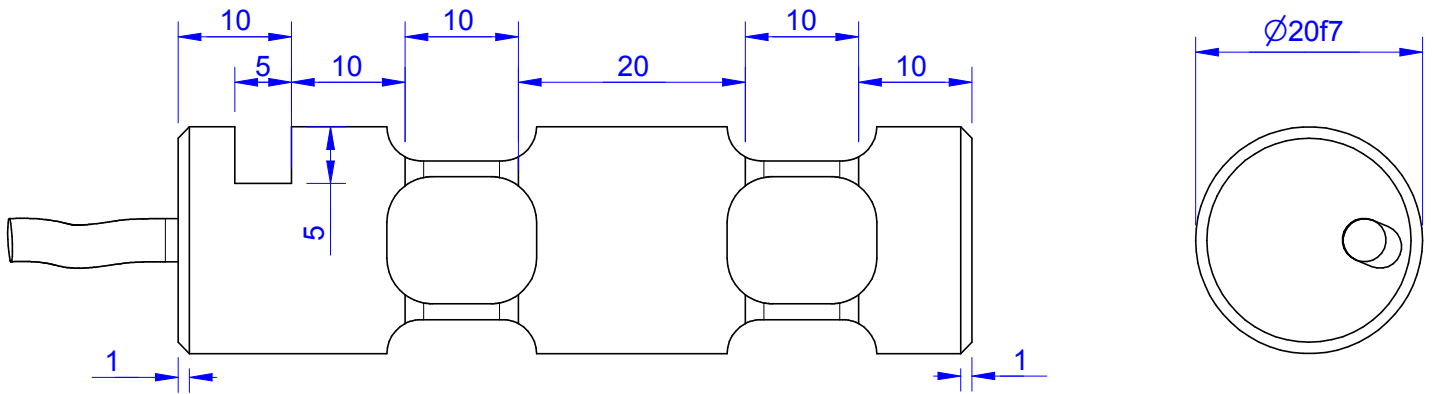


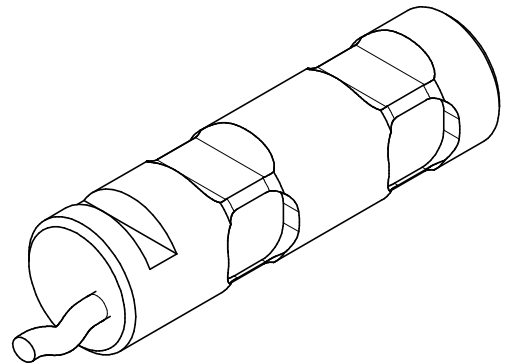
MB019

Load Pin



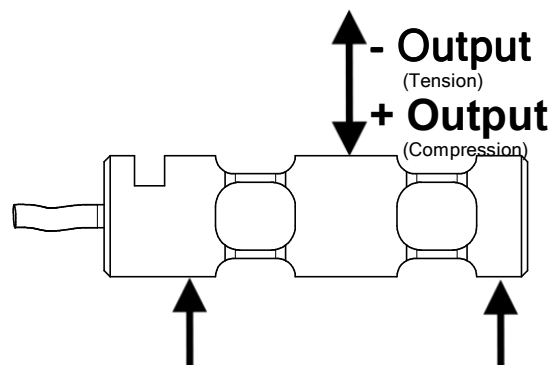
| Order no. | Capacity (F.S.) | Review |
|-------------|-----------------|--------|
| MB019-2-B | 2 kN | B |
| MB019-5-B | 5 kN | B |
| MB019-10-B* | 10 kN | B |
| MB019-20-B | 20 kN | B |

* above showed version
The fixed dimensions don't change at the other capacity.



Specifications: (Customizing on request)

| Dimension / Material | | |
|------------------------|--------------------|-----------------|
| Material | | Stainless Steel |
| Protection class | | IP 65 |
| Mechanical Data | | |
| Safe Load Limit | % of F.S. | 150 |
| Breaking Load | % of F.S. | 300 |
| Electrical Data | | |
| Rated Output | mV/V@F.S. | 1 |
| Zero Balance | mV/V | $\pm 0,05$ |
| Excitation (Maximum) | Volt | 10 |
| Input Resistance | Ohm | 400 ± 100 |
| Output Resistance | Ohm | 352 ± 2 |
| Insulating Resistance | GOhm | > 5 |
| Precision | | |
| Precisionclass | % | 1 |
| Nonlinearity | % of F.S. | $\pm 0,5$ |
| Nonrepeatability | % of F.S. | $\pm 0,25$ |
| Hysteresis | % of F.S. | $\pm 0,2$ |
| Temp. Shift Zero | % of F.S./K. | $\pm 0,05$ |
| Temp. Shift Span | % of F.S./K. | $\pm 0,05$ |
| Temperature | | |
| Compensated Temp. | $^{\circ}\text{C}$ | -10...+60 |
| Operating Temp. | $^{\circ}\text{C}$ | -20...+70 |



| | | | | |
|------------------|-----------------|----------------|------------|------------|
| Wiringcode: WC52 | Cabletype: 24-4 | | | |
| Cable Length | Excitation (+) | Excitation (-) | Bridge (+) | Bridge (-) |
| 3 m | brown | white | green | yellow |

Batarow
Made in Germany

Batarow Sensorik GmbH
Karow 17
18276 Lüssow

Mail: info@batarow.com
Phone: +49 (0) 3843-855555
Fax : +49 (0) 3843-218842

Internet:
www.batarow.com

Mounting Situation

MB019
Review: B

Configuration 1 (Standard)

possible Mounting Situation / Customer Mounting could vary
(Please describe Mounting situation with Vs,Ws,Xs,Ys and Zs for best possible calibration)

