

MB018

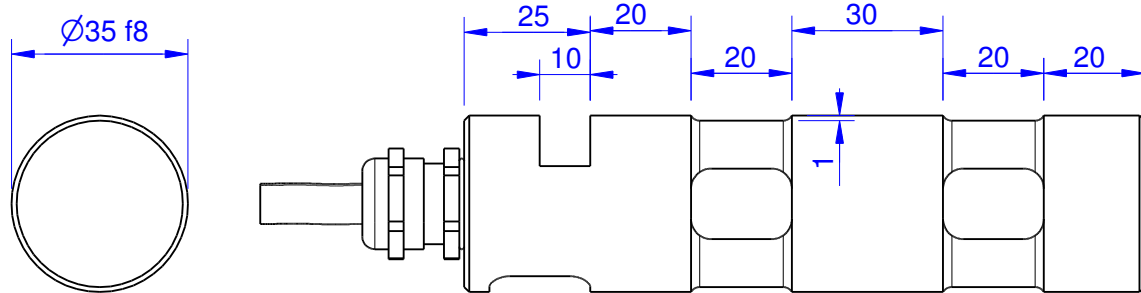
Load Pin

Content of Loadpin Datasheet

Page 1 General

Page 2 Mounting Situation

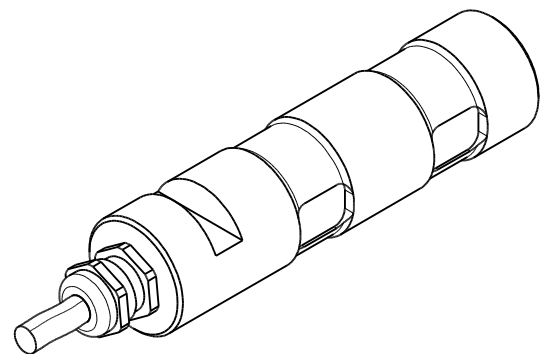
Page 3 Output Signal & Wiring



Order-number	Capacity (F.S.)	Uncertainty (k=2)	Review
MB018-5-x-C	5 kN	$\pm 0,03 \text{ kN}$	C
MB018-10-x-C	10 kN	$\pm 0,5 \text{ kN}$	C
MB018-25-x-C	25 kN	$\pm 0,13 \text{ kN}$	C
MB018-50-x-C*	50 kN	$\pm 0,25 \text{ kN}$	C
MB018-100-x-C	100 kN	$\pm 0,50 \text{ kN}$	C

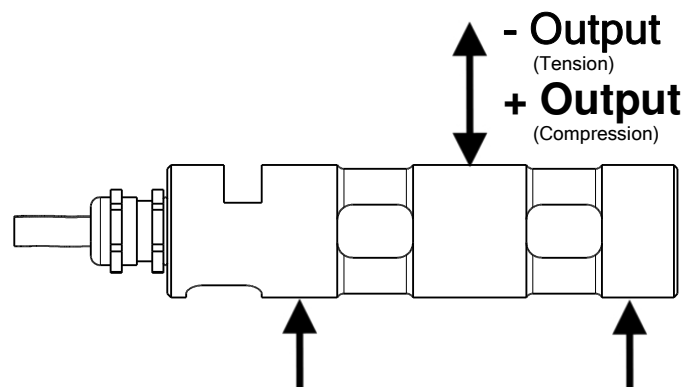
* above showed version

The fixed dimensions don't change at the other capacity.



Specifications: (Customizing on request)

Dimension / Material		
Material		Stainless Steel
Protection class		IP 66
Hardness (load area)	HRC	38
Mechanical Data		
Safe Load Limit	% of F.S.	150
Breaking Load	% of F.S.	300
Precision		
Nonlinearity	% of F.S.	$\pm 0,5$
Nonrepeatability	% of F.S.	$\pm 0,25$
Hysteresis	% of F.S.	$\pm 0,2$
Temp. Shift Zero	% of F.S./K.	$\pm 0,05$
Temp. Shift Span	% of F.S./K.	$\pm 0,05$
Temperature		
Compensated Temp.	$^{\circ}\text{C}$	-10...+60
Operating Temp.	$^{\circ}\text{C}$	-20...+70



Batarow
Made in Germany

Batarow Sensorik GmbH
Pappelweg 16
18276 Lüssow OT Karow

Mail: info@batarow.com
Phone: +49 (0) 3843-855555
Fax : +49 (0) 3843-218842

Internet:
www.batarow.com

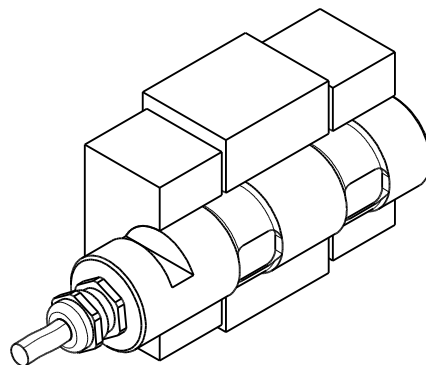
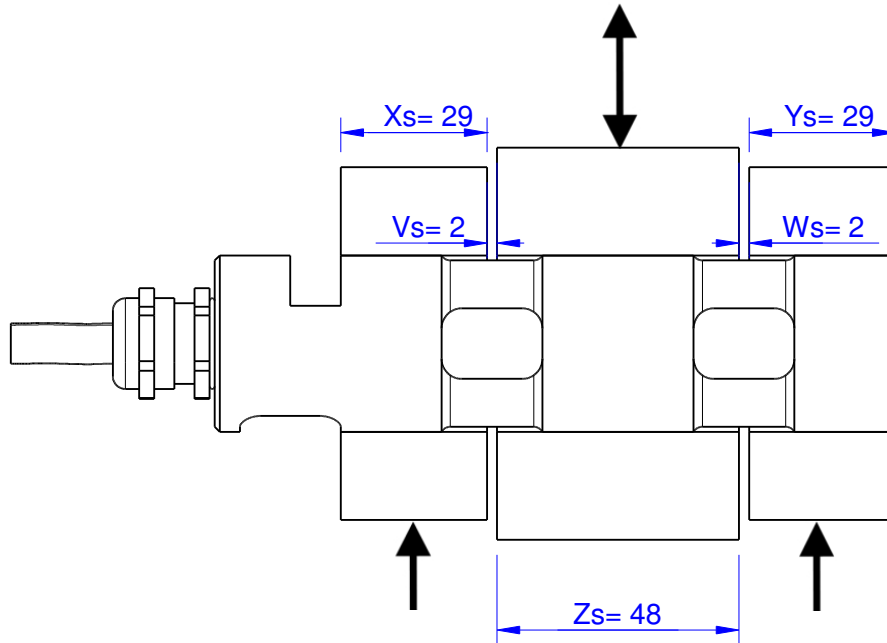
Mounting Situation

MB018 Review: C

Configuration 1 (Standard)

possible Mounting Situation / Customer Mounting could vary

(Please describe Mounting situation with Vs,Ws,Xs,Ys and Zs for best possible calibration)



Output Signal & Wiring

Loadpin: MB018

Review: C

Analog Output mV/V (S1)

Electrical Data		
Rated Output	mV/V@F.S.	1
Zero Balance	mV/V	±0,05
Excitation (Maximum)	Volt	10
Input Resistance	Ohm	450±100
Output Resistance	Ohm	352±2
Insulating Resistance	GOhm	>5

Wiringcode: WC52		Cabletype: 2x2x0,25 PUR		
Cable Length	Excitation (+)	Excitation (-)	Bridge (+)	Bridge (-)
3 m	brown	white	green	yellow

**Ordernumber Add on:
MB018-x-S1-B**

Analog Output 1..10V (U1)

Electrical Data U1		
Output @ 0kN	V	1±0,2
Output @ F.S.	V	10±0,2
Supply Voltage	V	24±2
Current Consumption	mA	25 (@ 24V)
Bandwidth	kHz	2,2±0,2

Wiringcode: WC23			
Cabeling: 3 m 2x2x0,25 PUR			
Supply(+)	Ground (-)	Output	n.c.
brown	white	green	yellow

**Ordernumber Add on:
MB018-x-U1-B**

Analog Output 4..20mA (I1)*

Electrical Data I1		
Output @ 0kN	mA	4±0,5
Output @ F.S.	mA	20±0,5
Supply Voltage	V	24±2
Current Consumption	mA	45 (@ 24V)
Bandwidth	kHz	2,2±0,2

Wiringcode: WC23			
Cabeling: 3 m 2x2x0,25 PUR			
Supply(+)	Ground (-)	Output	n.c.
brown	white	green	yellow

**Ordernumber Add on:
MB018-x-I1-B**

Redundant Analog Output mV/V(R1)

Electrical Data		
Rated Output	mV/V@F.S.	1
Zero Balance	mV/V	±0,05
Excitation (Maximum)	Volt	10
Input Resistance	Ohm	450±100
Output Resistance	Ohm	352±2
Insulating Resistance	GOhm	>5

Wiringcode: WC59			
Cabeling: 3m 4x2x025 PUR			
+Us (Fx)	brown	+Us (Fy)	pink
-Us (Fx)	white	-Us (Fy)	grey
+Ud (Fx)	green	+Ud (Fy)	blue
-Ud (Fx)	yellow	-Ud (Fy)	red

**Ordernumber Add on:
MB018-x-R1-B**