

MB725

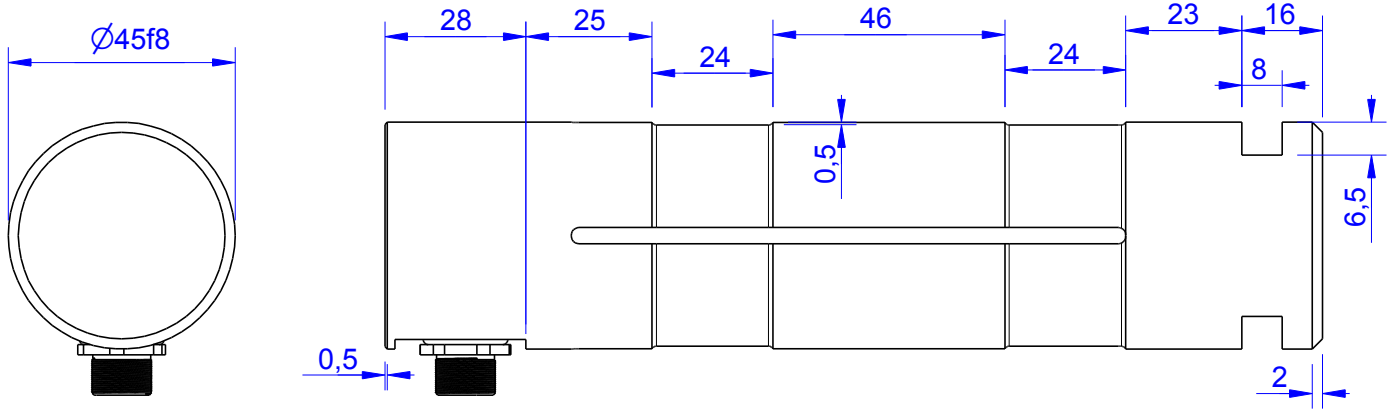
Load Pin

Content of Loadpin Datasheet

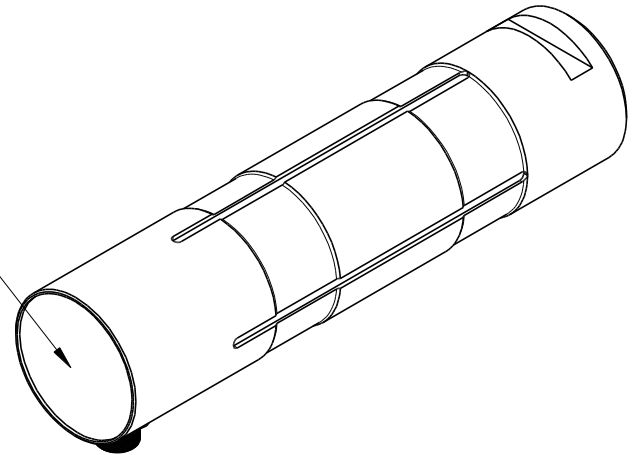
Page 1 General

Page 2 Mounting Situation

Page 3 Output Signal & Wiring

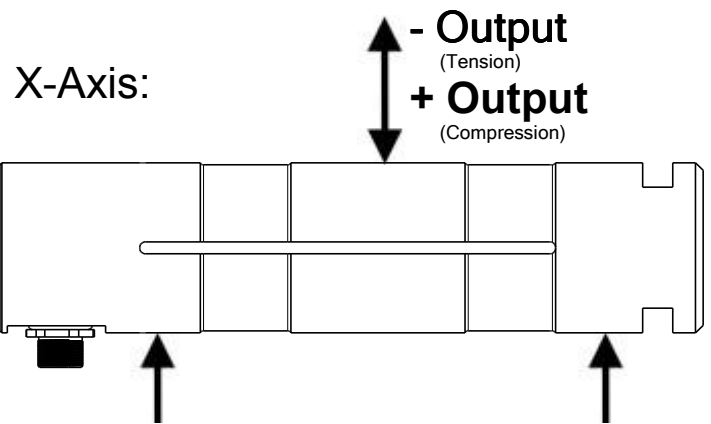


Marking:
 Loadpin: MBx
 Orderno.: MBx-xxx-x-x
 Serialno.: xxxxxxxx
 www.Batarow.com
 Made in Germany



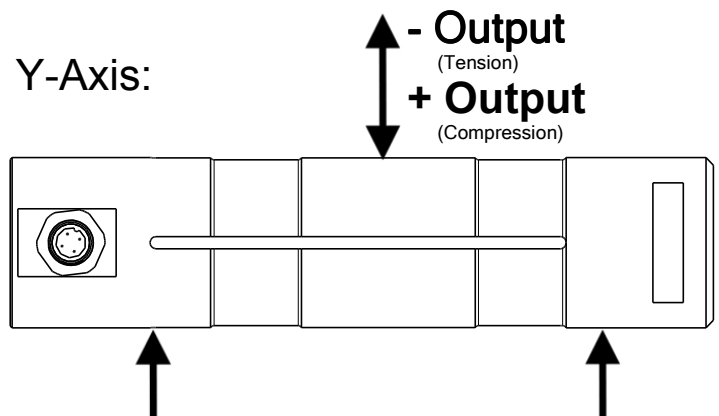
Order-number	Capacity (F.S.)	Uncertainty (k=2)	Review
MB725-10-x-A	10 kN	±0,05kN	A
MB725-20-x-A	20 kN	±0,10 kN	A
MB725-75-x-A	75 kN	±0,35 kN	A
MB725-100-x-A	100 kN	±0,50 kN	A
MB725-200-x-A*	200 kN	±1,00 kN	A

* above showed version
 The fixed dimensions don't change at the other capacity.



Specifications: (Customizing on request)

Dimension / Material		
Material		Stainless Steel
Protection class		IP 66
Hardness (load area)	HRC	38
Mechanical Data		
Safe Load Limit	% of F.S.	120
Breaking Load	% of F.S.	200
Precision		
Nonlinearity	% of F.S.	±0,5
Nonrepeatability	% of F.S.	±0,25
Hysteresis	% of F.S.	±0,2
Temp. Shift Zero	% of F.S./K.	±0,05
Temp. Shift Span	% of F.S./K.	±0,05
Temperature		
Compensated Temp.	°C	-10...+60
Operating Temp.	°C	-20...+70



Batarow
 Made in Germany

Batarow Sensorik GmbH
 Pappelweg 16
 18276 Lüssow OT Karow

Mail: info@batarow.com
 Phone: +49 (0) 3843-855555
 Fax : +49 (0) 3843-218842

Internet:
 www.batarow.com

Mounting Situation

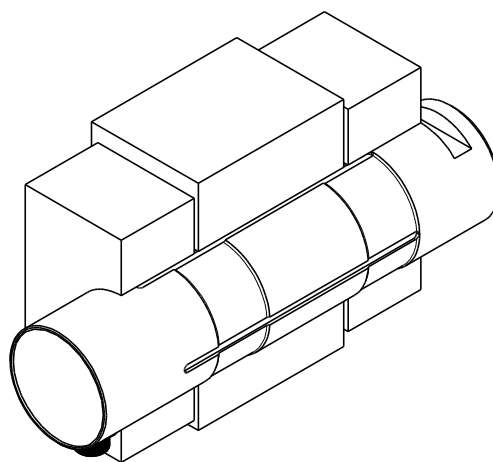
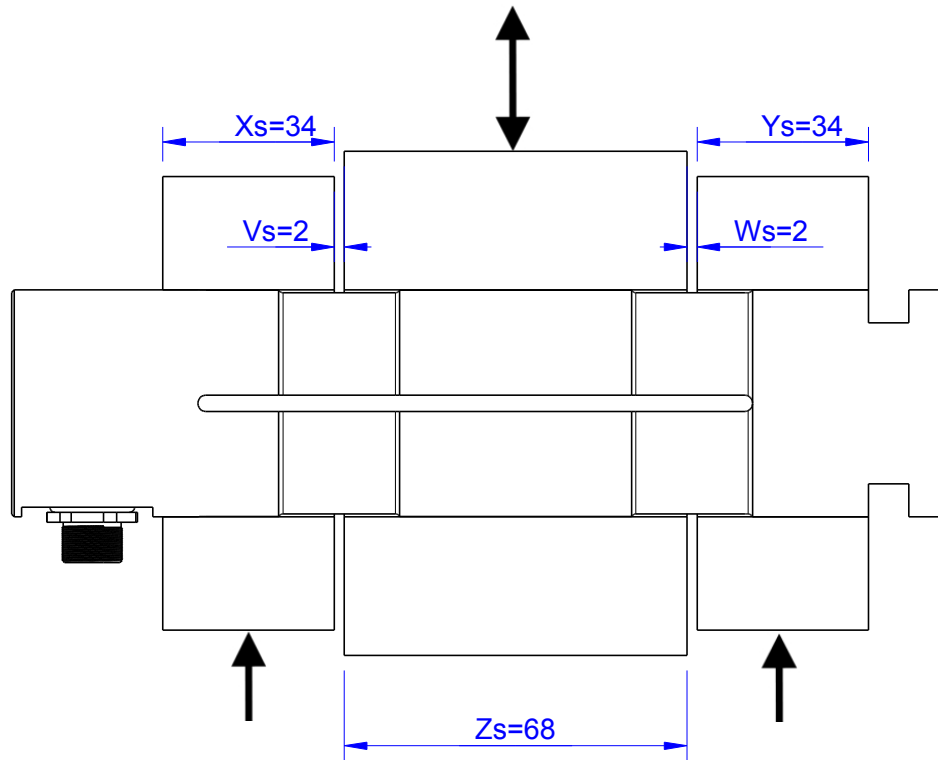
MB725 Review: A

Bore fit of mounting situation: H7

Configuration 1 (Standard)

possible Mounting Situation / Customer Mounting could vary

(Please describe Mounting situation with Vs,Ws,Xs,Ys and Zs for best possible calibration)




Output Signal & Wiring

Loadpin: MB725

Review: A

Analog Output mV/V (S1)

Electrical Data		
Rated Output	mV/V@F.S.	1,5
Zero Balance	mV/V	±0,05
Excitation (Maximum)	Volt	10
Input Resistance	Ohm	1200±200
Output Resistance	Ohm	1002±2
Insulating Resistance	GOhm	>5

Wiringcode: WC56				
Cabeling: M12 Male Socket / Flanschdose (male)				
+Us (Fx)	Pin 2 / brown	+Us (Fy)	Pin 6 / pink	
-Us (Fx)	Pin 1 / white	-Us (Fy)	Pin 5 / grey	
+Ud (Fx)	Pin 3 / green	+Ud (Fy)	Pin 7 / blue	
-Ud (Fx)	Pin 4 / yellow	-Ud (Fy)	Pin 8 / red	

Ordernumber Add-On:

MBxxx-x-S1-x

Attention: Nipple orientation of connector is not fixed. In case of 90° degree connector - it is necessary to set by customer.

Batarow
Made in Germany

Batarow Sensorik GmbH
Pappelweg 16
18276 Lüssow OT Karow

Mail: info@batarow.com
Phone: +49 (0) 3843-855555
Fax : +49 (0) 3843-218842

Internet:
www.batarow.com